



CATALOG OF REPLACEMENT PARTS

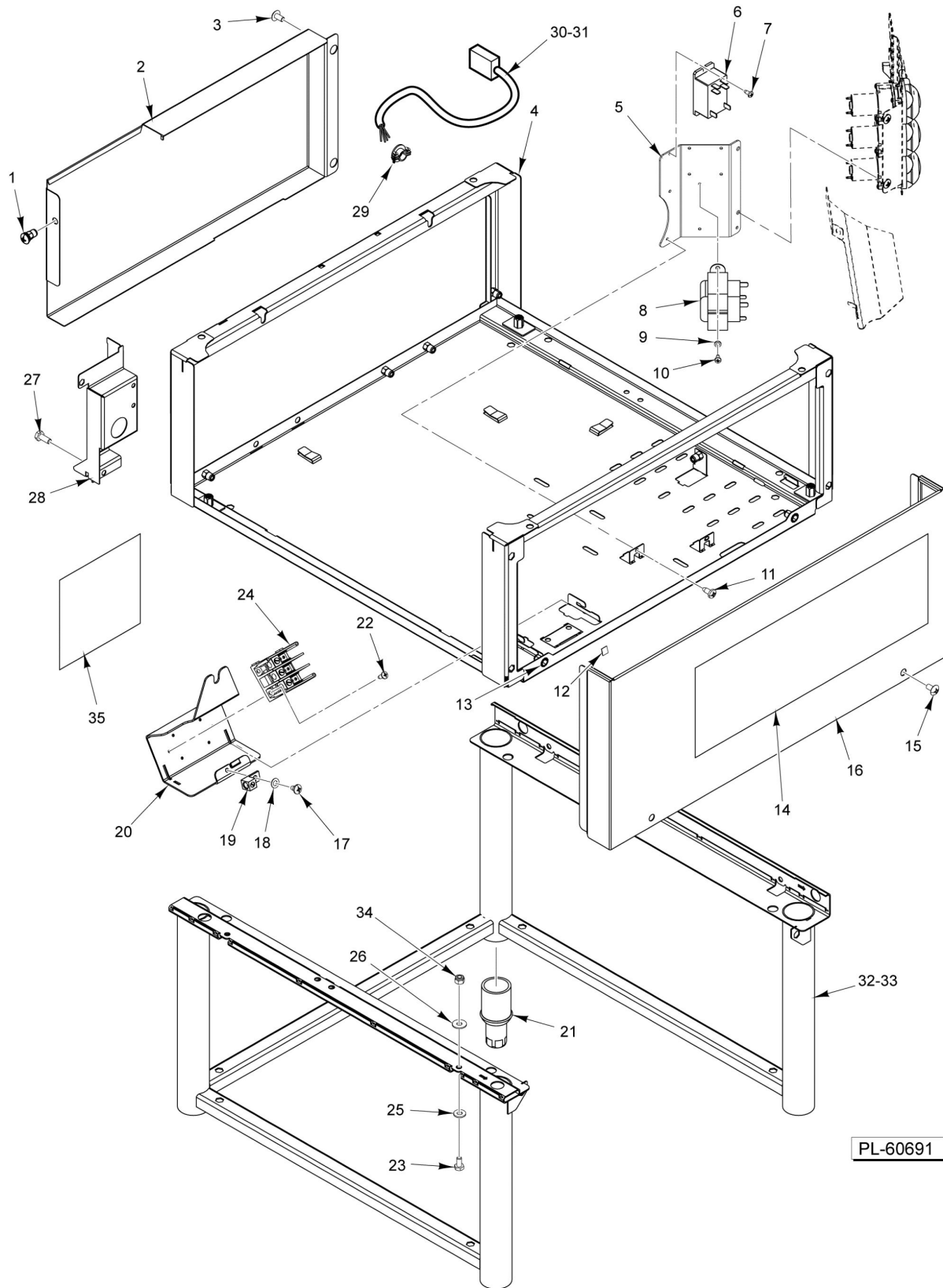


SU SERIES UNDERCOUNTER DISHWASHERS

ML-130273	SU-H
ML-130274	SU-L
ML-130259	SG (Cold)
ML-130260	SG (Cold)

Table of Contents

5	BASE ASSEMBLY (SG)
7	BASE ASSEMBLY (SU-H & SU-L)
9	TANK ASSEMBLY
11	DOOR ASSEMBLY (SG)
13	DOOR ASSEMBLY (SU-H & SU-L)
15	CONTROL PANEL AND BOARDS
17	WASH ARM AND RINSE ARM ASSEMBLY
19	WASH PIPE ASSEMBLY
21	WASH PUMP AND DRAIN (BEFORE S/N 231216741)
23	WASH PUMP AND DRAIN (STARTING S/N 231216741)
25	DRAIN WATER TEMPERING
27	RINSE PUMP
29	CHEMICAL PUMPS AND SENSORS
31	BOOSTER ASSEMBLY (HOT) (SU-H)
33	RECOVERY TANK ASSEMBLY (COLD) METAL TANK (SU-L & SG)
35	RECOVERY TANK ASSEMBLY (COLD) MOLDED TANK (SU-L & SG)
37	FILL AIR GAP (SG)
39	FILL AIR GAP (SU-H & SU-L)

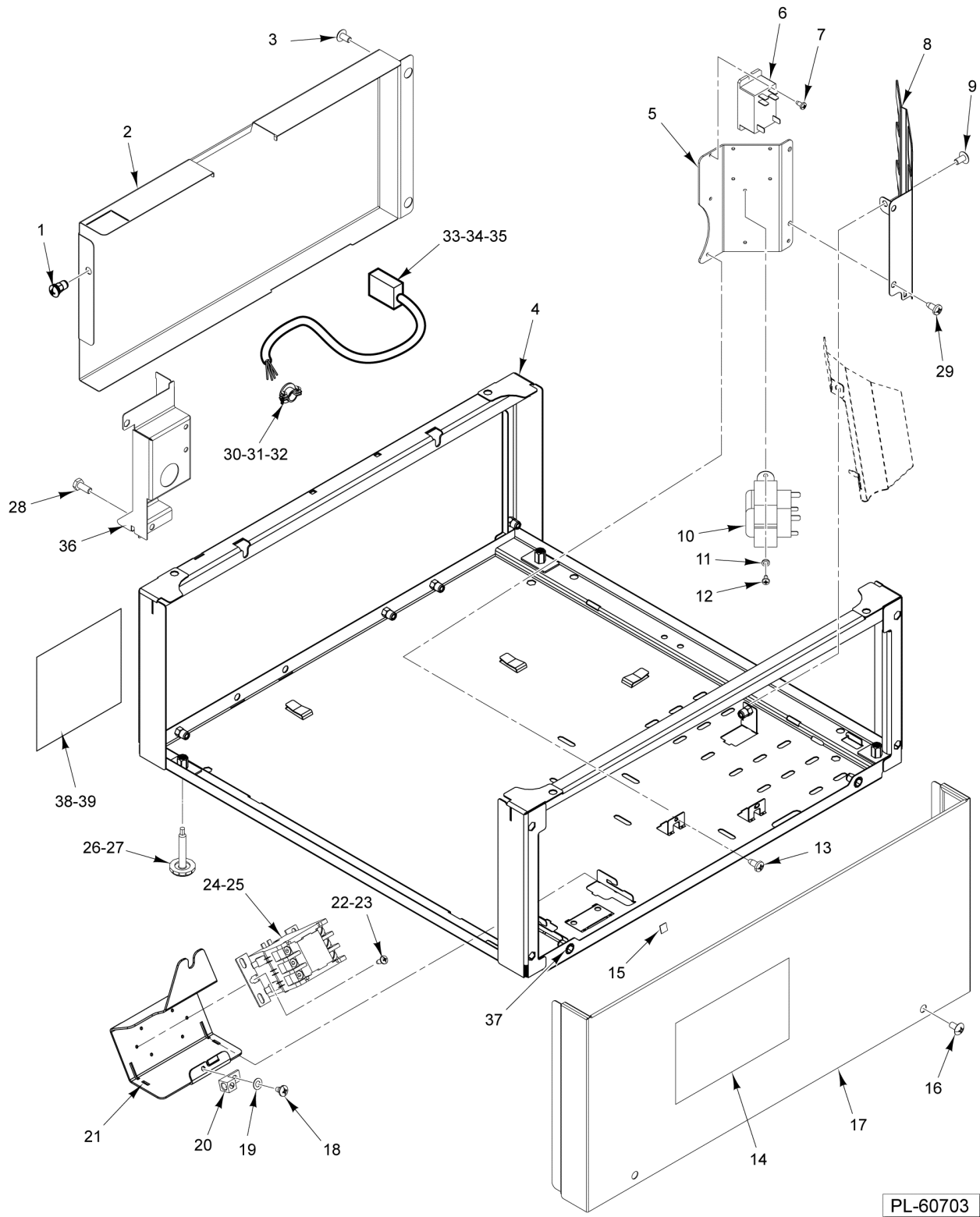


PL-60691

BASE ASSEMBLY (SG)

BASE ASSEMBLY (SG)

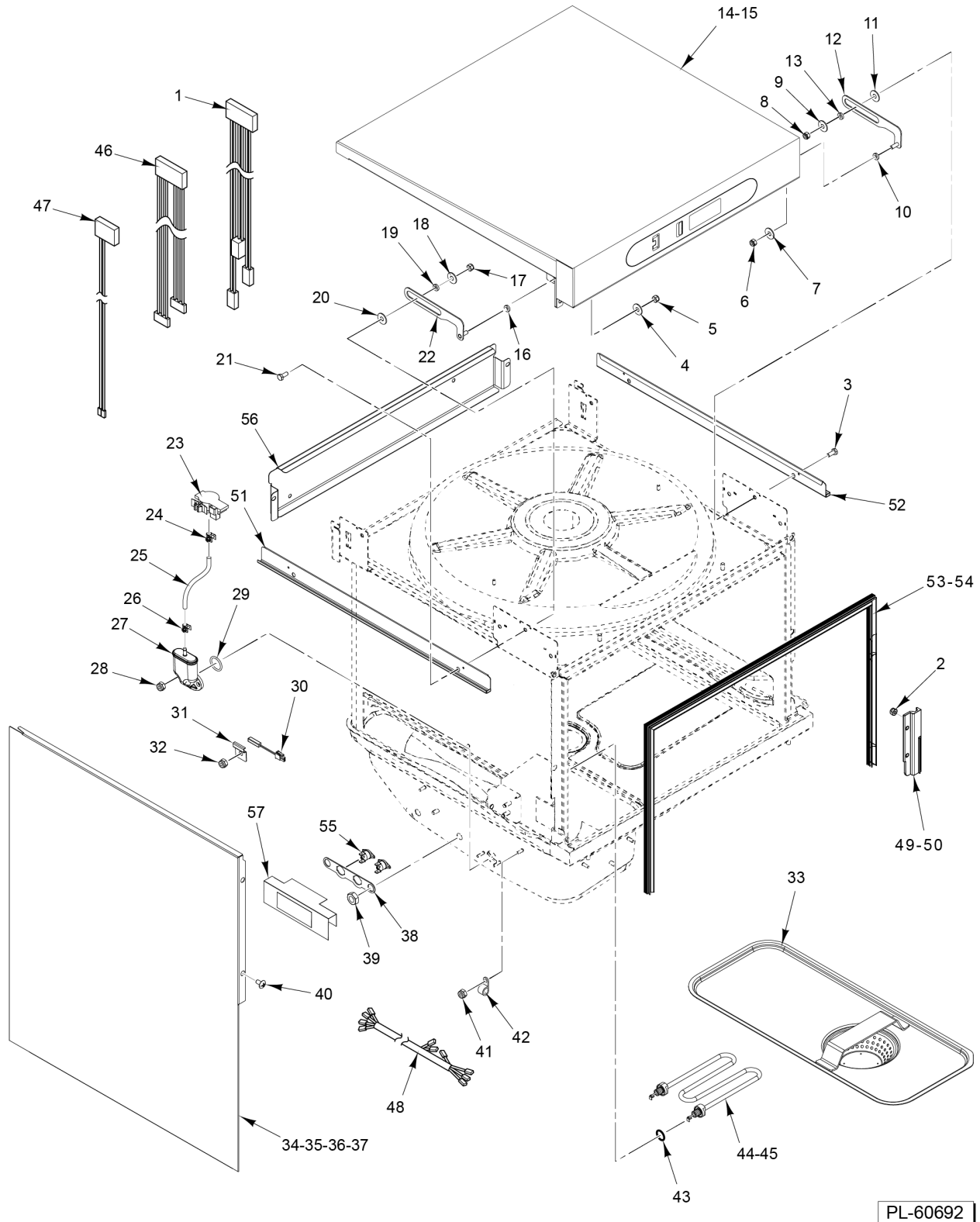
ILLUS.	PART NO.	NAME OF PART	AMT.
PL-60691			
1	0P-678345	Mach. Screw 1/4-20 x 1/2 Phil. Truss Hd.....	1
2	0A-108523	Panel - Cover (Rear).....	1
3	0P-678345	Mach. Screw 1/4-20 x 1/2 Phil. Truss Hd.....	2
4	0A-108424	Base - Lower (Control Box).....	1
5	0A-108428	Bracket - Contactor.....	1
6	0P-478361	Relay (2-Pole) (120 VAC) (30 Amp.).....	1
7	0P-678160	Self-Tapping Screw 8-18 x 3/8 Phil. Bndg. Hd., Type B.....	2
8	0P-538484	Transformer (24 V., 30 Amp.).....	1
9	0P-678163	Lockwasher #10 Helical (SST).....	2
10	0P-678160	Self-Tapping Screw 8-18 x 3/8 Phil. Bndg. Hd., Type B.....	2
11	0P-678161	Self-Tapping Screw 10-16 x 1/2 Phil. Pan Hd., Type B.....	2
12	0A-698551	Label - Ground.....	1
13	0P-678390	Rivnut 1/4-20.....	AR
14	0A-698583	Label (Cleaning).....	1
15	0P-678345	Mach. Screw 1/4-20 x 1/2 Phil. Truss Hd.....	2
16	0A-108514	Trim - Front.....	1
17	0P-678348	Self-Tapping Screw 1/4-20 x 3/8 Phil. Pan Hd., Type TT.....	1
18	0P-678351	Lockwasher 1/4 External Shakeproof.....	1
19	0P-528186	Lug - Grounding.....	1
20	0A-108539	Bracket.....	1
21	0P-608040	Foot - Adjustable (1-5/8) (SST).....	4
22	0P-678160	Self-Tapping Screw 8-18 x 3/8 Phil. Bndg. Hd., Type B.....	2
23	0P-678568	Cap Screw 1/4-20 x 1/2 Hex Hd. (SST).....	8
24	0P-528457	Block - Terminal (3-Pole).....	1
25	0P-678170	Washer (SST).....	8
26	0P-678575	Washer (SST).....	4
27	0P-678568	Cap Screw 1/4-20 x 1/2 Hex Hd. (SST).....	1
28	0A-108429	Box - Junction.....	1
29	0P-678560	Connector - Conduit.....	1
30	0A-108510	Kit - Power Cord Cord - Power (120 V.).....	1
31	0A-108512	Kit - Power Cord 120/208-240 V., 3 Wire.....	1
32	0B-108516	Frame (Standard).....	1
33	0B-108517	Frame (Short).....	1
34	0P-678143	Stop Nut 1/4-20 Hex (SST).....	4
35	0A-698553	Electric Diagram (120 V., 60 Hz., 1 Ph.).....	1



**BASE ASSEMBLY
(SU-H & SU-L)**

**BASE ASSEMBLY
(SU-H & SU-L)**

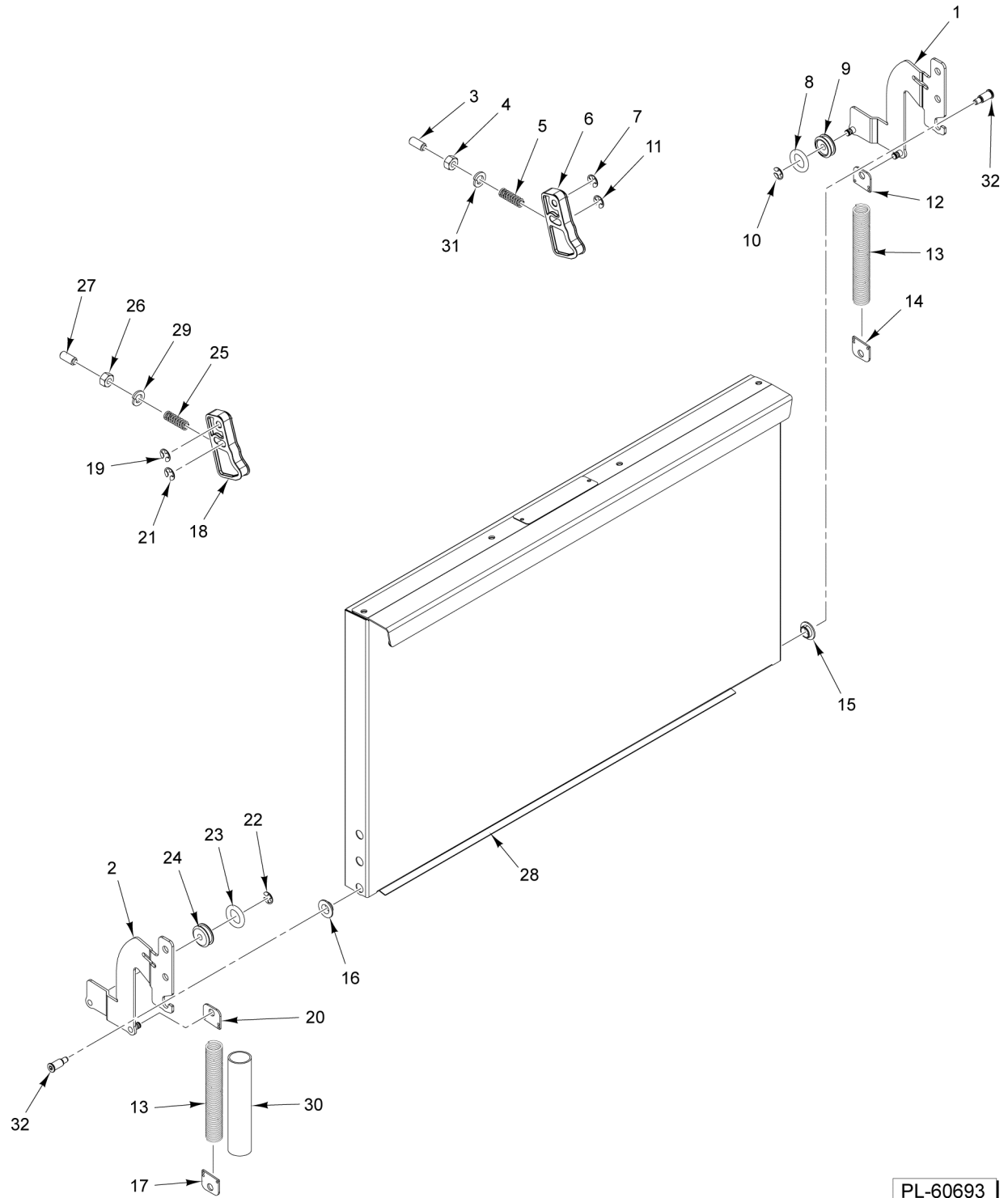
ILLUS. PL-60703	PART NO.	NAME OF PART	AMT.
1	0P-678345	Mach. Screw 1/4-20 x 1/2 Phil. Truss Hd.....	1
2	0A-108430	Panel - Cover (Rear).....	1
3	0P-678345	Mach. Screw 1/4-20 x 1/2 Phil. Truss Hd.....	2
4	0A-108424	Base - Lower (Control Box).....	1
5	0A-108428	Bracket - Contactor.....	1
6	0P-478361	Relay (2-Pole) (120 VAC) (30 Amp.).....	1
7	0P-678160	Self-Tapping Screw 8-18 x 3/8 Phil. Bndg. Hd., Type B.....	2
8	0A-108427	Bracket - Chemical Pump (Welco).....	1
9	0P-678345	Mach. Screw 1/4-20 x 1/2 Phil. Truss Hd.....	1
10	0P-538484	Transformer (24 V., 30 Amp.).....	1
11	0P-678163	Lockwasher #10 Helical (SST).....	2
12	0P-678160	Self-Tapping Screw 8-18 x 3/8 Phil. Bndg. Hd., Type B.....	2
13	0P-678161	Self-Tapping Screw 10-16 x 1/2 Phil. Pan Hd., Type B.....	2
14	0A-678380	Label (Cleaning).....	1
15	0A-698551	Label - Ground.....	1
16	0P-678345	Mach. Screw 1/4-20 x 1/2 Phil. Truss Hd.....	2
17	0A-108431	Trim - Front.....	1
18	0P-678348	Self-Tapping Screw 1/4-20 x 3/8 Phil. Pan Hd., Type TT.....	1
19	0P-678351	Lockwasher 1/4 External Shakeproof.....	1
20	0P-528186	Lug - Grounding.....	1
21	0A-108539	Bracket.....	1
22	0P-678161	Self-Tapping Screw 10-16 x 1/2 Phil. Pan Hd., Type B (SU-H).....	2
23	0P-678160	Self-Tapping Screw 8-18 x 3/8 Phil. Bndg. Hd., Type B (SU-L).....	2
24	0P-478181	Contactor (25 Amp., 3-Pole) (SU-H).....	1
25	0P-528457	Block - Terminal (3-Pole) (SU-L).....	1
26	0A-108425	Foot - Leveling.....	4
27	0P-678426	Rivnut 5/16-18.....	4
28	0P-678568	Cap Screw 1/4-20 x 1/2 Hex Hd. (SST).....	1
29	0P-678348	Self-Tapping Screw 1/4-20 x 3/8 Phil. Pan Hd., Type TT.....	2
30	0P-678558	Strain Relief - Electrical (1 In.).....	1
31	0P-679559	Strain Relief - Electrical (3/4 In.).....	1
32	0P-678555	Washer - Reducing (1 to 3/4 In.).....	1
33	0A-108512	Kit - Power Cord (120-240 V., 60 Hz., 1 Ph.) (Incls. Item 30).....	1
34	0A-108510	Kit - Power Cord (120-240 V., 60 Hz., 1 Ph.) (Incls. Items 31 & 32).....	1
35	0A-108511	Kit - Power Cord (208-240 V., 60 Hz., 1 Ph.) (Incls. Item 30).....	1
36	0A-108429	Box - Junction.....	1
37	0P-678390	Rivnut 1/4-20.....	AR
38	0A-698553	Electric Diagram (SU-L).....	1
39	0A-698552	Electric Diagram (SU-H).....	1



TANK ASSEMBLY

TANK ASSEMBLY

ILLUS.	PART NO.	NAME OF PART	AMT.
	PL-60692		
1	0P-458471	Harness - Wire (Temperature Probes).....	1
2	0P-678140	Stop Nut 10-24 Hex (SST).....	4
3	0P-678148	Cap Screw 1/4-20 x 5/8 Hex Hd. (SST).....	1
4	0P-678169	Washer (SST).....	1
5	0P-678143	Stop Nut 1/4-20 Hex (SST).....	1
6	0P-678143	Stop Nut 1/4-20 Hex (SST).....	1
7	0P-678169	Washer (SST).....	1
8	0P-678143	Stop Nut 1/4-20 Hex (SST).....	1
9	0P-678169	Washer (SST).....	1
10	0P-678574	Washer.....	1
11	0P-678169	Washer (SST).....	1
12	0A-108439	Link - Control Box Pivot (RH).....	1
13	0P-678574	Washer.....	1
14	0A-108524	Top - Control Box.....	1
15	0P-578505	Gasket - Control Box (Top).....	1
16	0P-678574	Washer.....	1
17	0P-678143	Stop Nut 1/4-20 Hex (SST).....	1
18	0P-678169	Washer (SST).....	1
19	0P-678574	Washer.....	1
20	0P-678169	Washer (SST).....	1
21	0P-678148	Cap Screw 1/4-20 x 5/8 Hex Hd. (SST).....	1
22	0A-108440	Link - Control Box Pivot (LH).....	1
23	0P-658387	Sensor - Pressure.....	2
24	0P-688362	Clamp - Spring Action Hose.....	1
25	0P-688537	Kit - Tubing (Incls. Items 24 & 26) (Cut to 28 In.).....	1
26	0P-688362	Clamp - Spring Action Hose.....	1
27	0A-108501	Trap - Air.....	1
28	0P-678143	Stop Nut 1/4-20 Hex (SST).....	2
29	0P-578564	O-Ring.....	1
30	0P-658423	Thermistor.....	1
31	0A-108451	Back - Thermistor.....	1
32	0P-678143	Stop Nut 1/4-20 Hex (SST).....	1
33	0P-628422	Strainer.....	1
34	0B-108447	Panel - Side (RH) (SU-H & SU-L).....	1
35	0B-108448	Panel - Side (LH) (SU-H & SU-L).....	1
36	0B-108449	Panel - Side (RH) (SG).....	1
37	0A-108450	Panel - Side (LH) (SG).....	1
38	0A-108386	Bracket - Overtemp Mounting.....	1
39	0P-678563	Lock Nut 1/2-13 Hex.....	2
40	0P-678345	Mach. Screw 1/4-20 x 1/2 Phil. Truss Hd.....	4
41	0P-678336	Lock Nut 3/16 Washer Type (SST).....	12
42	0A-108045	Clamp - Wire (3/4 I.D.).....	12
43	0P-578360	O-Ring.....	2
44	0P-558395	Element - Heater (Sump) (120 V.).....	1
45	0P-558384	Element - Heater (Sump) (208-240 V.).....	1
46	0P-458472	Harness - Wire (Pressure Sensor).....	1
47	0P-458480	Harness - Wire (High Limit) (SU-L & SG).....	1
48	0P-458479	Harness - Wire (Sump Heater).....	1
49	0P-578497	Guide - Door (RH).....	1
50	0P-578498	Guide - Door (LH).....	1
51	0A-108528	Gutter - Left.....	1
52	0A-108527	Gutter - Right.....	1
53	0P-578545	Seal - Door (SU-H & SU-L).....	1
54	0P-578550	Seal - Door (SG).....	1
55	0P-658504	Protector - High Limit.....	2
56	0P-428526	Panel - Rear Trim (Upper) (SG).....	1
57	0A-108381	Barrier - Sump Heater (Mylar).....	1

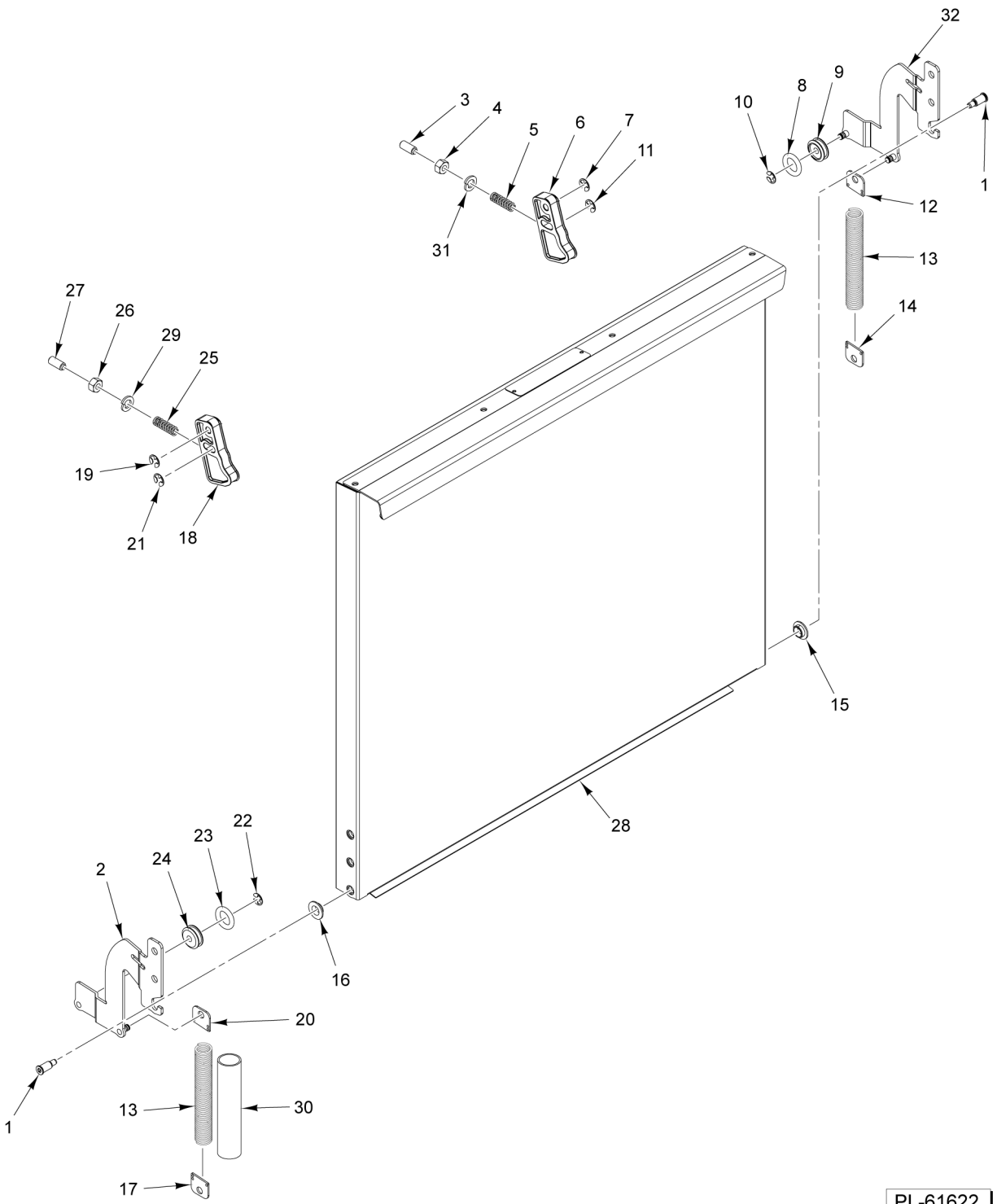


PL-60693

DOOR ASSEMBLY (SG)

DOOR ASSEMBLY (SG)

ILLUS.	PART NO.	NAME OF PART	AMT.
PL-60693			
1	0A-108519	Stop - Door (RH).....	1
2	0A-108520	Stop - Door (LH).....	1
3	0P-678570	Set Screw 5/16-18 x 3/4 Hex Hdls., Dog Pt. (SST).....	1
4	0P-678139	Nut 5/16-18 Hex (SST).....	1
5	0A-608462	Spring -Compression.....	1
6	0A-108463	Cam - Door Pivot.....	1
7	0P-678567	Retaining Ring 1/4 In. (SST).....	1
8	0P-578565	O-Ring.....	1
9	0A-108465	Roller - Cam.....	1
10	0P-678567	Retaining Ring 1/4 In. (SST).....	1
11	0P-678567	Retaining Ring 1/4 In. (SST).....	1
12	0A-108464	Connector - Spring.....	1
13	0P-608538	Spring - Extension.....	2
14	0A-108464	Connector - Spring.....	1
15	0A-668460	Bearing - Door.....	1
16	0A-668460	Bearing - Door.....	1
17	0A-108464	Connector - Spring.....	1
18	0A-108463	Cam - Door Pivot.....	1
19	0P-678567	Retaining Ring 1/4 In. (SST).....	1
20	0A-108464	Connector - Spring.....	1
21	0P-678567	Retaining Ring 1/4 In. (SST).....	1
22	0P-678567	Retaining Ring 1/4 In. (SST).....	1
23	0P-578565	O-Ring.....	1
24	0A-108465	Roller - Cam.....	1
25	0A-608462	Spring -Compression.....	1
26	0P-678139	Nut 5/16-18 Hex (SST).....	1
27	0P-678570	Set Screw 5/16-18 x 3/4 Hex Hdls., Dog Pt. (SST).....	1
28	0B-108521	Door Assy.....	1
29	0P-678165	Lockwasher 5/16 Helical (SST).....	1
30	0P-678508	Cover - Spring.....	1
31	0P-678165	Lockwasher 5/16 Helical (SST).....	1
32	0P-678518	Scew - Pivot.....	6

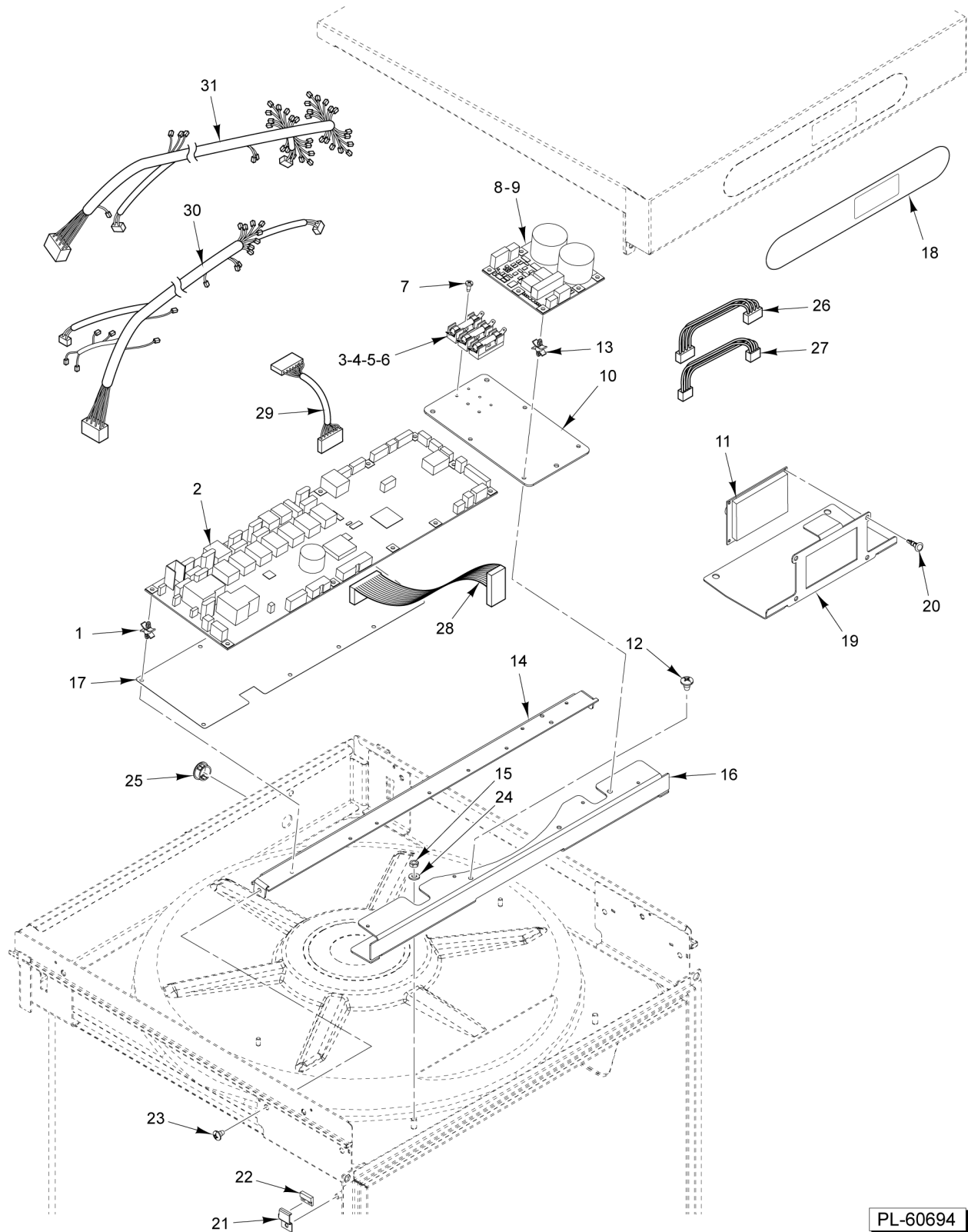


PL-61622

**DOOR ASSEMBLY
(SU-H & SU-L)**

**DOOR ASSEMBLY
(SU-H & SU-L)**

ILLUS. PL-61622	PART NO.	NAME OF PART	AMT.
1	0P-678466	Shoulder Bolt.....	6
2	0A-109500	Stop - Door (LH).....	1
3	0P-678570	Set Screw 5/16-18 x 3/4 Hex Hdls., Dog Pt. (SST).....	1
4	0P-678139	Nut 5/16-18 Hex (SST).....	1
5	0A-608462	Spring -Compression.....	1
6	0A-108463	Cam - Door Pivot.....	1
7	0P-678567	Retaining Ring 1/4 In. (SST).....	1
8	0P-578565	O-Ring.....	1
9	0A-108465	Roller - Cam.....	1
10	0P-678567	Retaining Ring 1/4 In. (SST).....	1
11	0P-678567	Retaining Ring 1/4 In. (SST).....	1
12	0A-108464	Connector - Spring.....	1
13	0A-608461	Spring - Extension.....	2
14	0A-108464	Connector - Spring.....	1
15	0A-668460	Bearing - Door.....	1
16	0A-668460	Bearing - Door.....	1
17	0A-108464	Connector - Spring.....	1
18	00-941849	Cam - Door Pivot.....	1
19	0P-678567	Retaining Ring 1/4 In. (SST).....	1
20	0A-108464	Connector - Spring.....	1
21	0P-678567	Retaining Ring 1/4 In. (SST).....	1
22	0P-678567	Retaining Ring 1/4 In. (SST).....	1
23	0P-578565	O-Ring.....	1
24	0A-108465	Roller - Cam.....	1
25	0A-608462	Spring -Compression.....	1
26	0P-678139	Nut 5/16-18 Hex (SST).....	1
27	0P-678570	Set Screw 5/16-18 x 3/4 Hex Hdls., Dog Pt. (SST).....	1
28	0A-108530	Door Assy.....	1
29	0P-678165	Lockwasher 5/16 Helical (SST).....	1
30	0P-678508	Cover - Spring.....	1
31	0P-678165	Lockwasher 5/16 Helical (SST).....	1
32	0A-109499	Stop - Door (RH).....	1

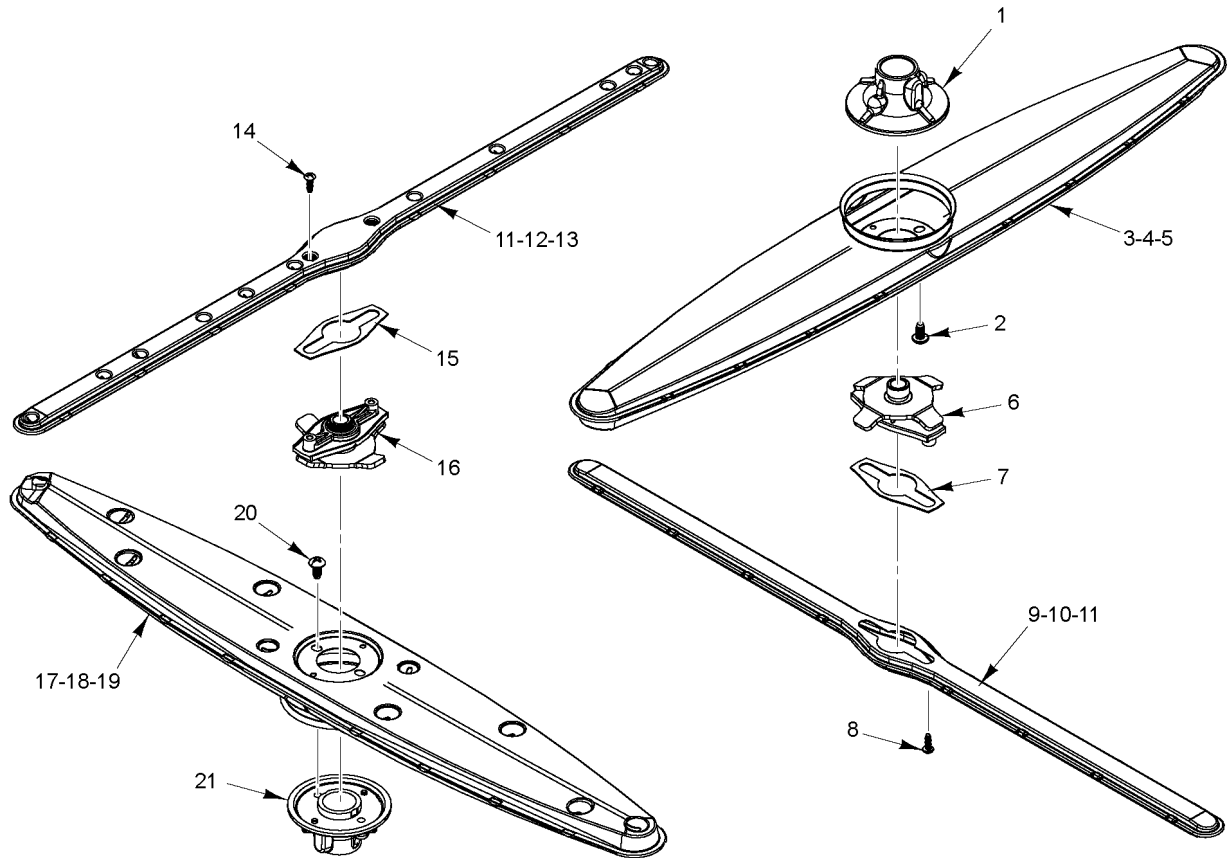


PL-60694

CONTROL PANEL AND BOARDS

CONTROL PANEL AND BOARDS

ILLUS. PL-60694	PART NO.	NAME OF PART	AMT.
1	0P-428051	Standoff.....	7
2	0P-429543	Board - Master.....	1
3	0P-528502	Block - Fuse.....	1
4	0P-529556	Fuse (0.5 Amp.) (250 V.).....	1
5	0P-528561	Fuse (2.5 Amp.) (250 V.).....	1
6	0P-528557	Fuse (1.5 Amp.) (250 V.) (Hot Only).....	1
7	0P-678159	Self-Tapping Screw 6-20 x 3/8 Phil. Bndg. Hd., Type B.....	2
8	0P-428483	Board - Power Supply.....	1
9	0P-528313	Fuse (250 V.) (1 Amp.).....	1
10	0A-108442	Mount - Power Supply.....	1
11	0P-429398	Display - Graphic.....	1
12	0P-678348	Self-Tapping Screw 1/4-20 x 3/8 Phil. Pan Hd., Type TT.....	2
13	0P-428051	Standoff.....	4
14	0A-108444	Base - Control Box (Upper).....	1
15	0P-678143	Stop Nut 1/4-20 Hex (SST).....	2
16	0A-108443	Mount - Brace (Front).....	1
17	0P-428509	Mylar - Barrier.....	1
18	0P-428529	Keypad - Membrane.....	1
19	0P-428525	Mount - Display.....	1
20	0A-108445	Clip - Board.....	4
21	0A-108481	Bracket - Reed Switch.....	1
22	0B-108397	Switch Assy. - Door.....	1
23	0P-678348	Self-Tapping Screw 1/4-20 x 3/8 Phil. Pan Hd., Type TT.....	2
24	0P-678169	Washer (SST).....	2
25	0P-678554	Bushing - Snap.....	1
26	0P-458475	Harness - Control (12 V.) (Control Signal from Control Board to Power Supply Board)	1
27	0P-458474	Harness - Power Supply (Power Supply Board to Control Board).....	1
28	0P-458473	Cable - Display.....	1
29	0P-458477	Harness - Keypad.....	1
30	0P-458476	Harness - Wire (120 V.) (SU-H).....	1
31	0P-428506	Harness - Wire (120 V.) (SU-L & SG).....	1

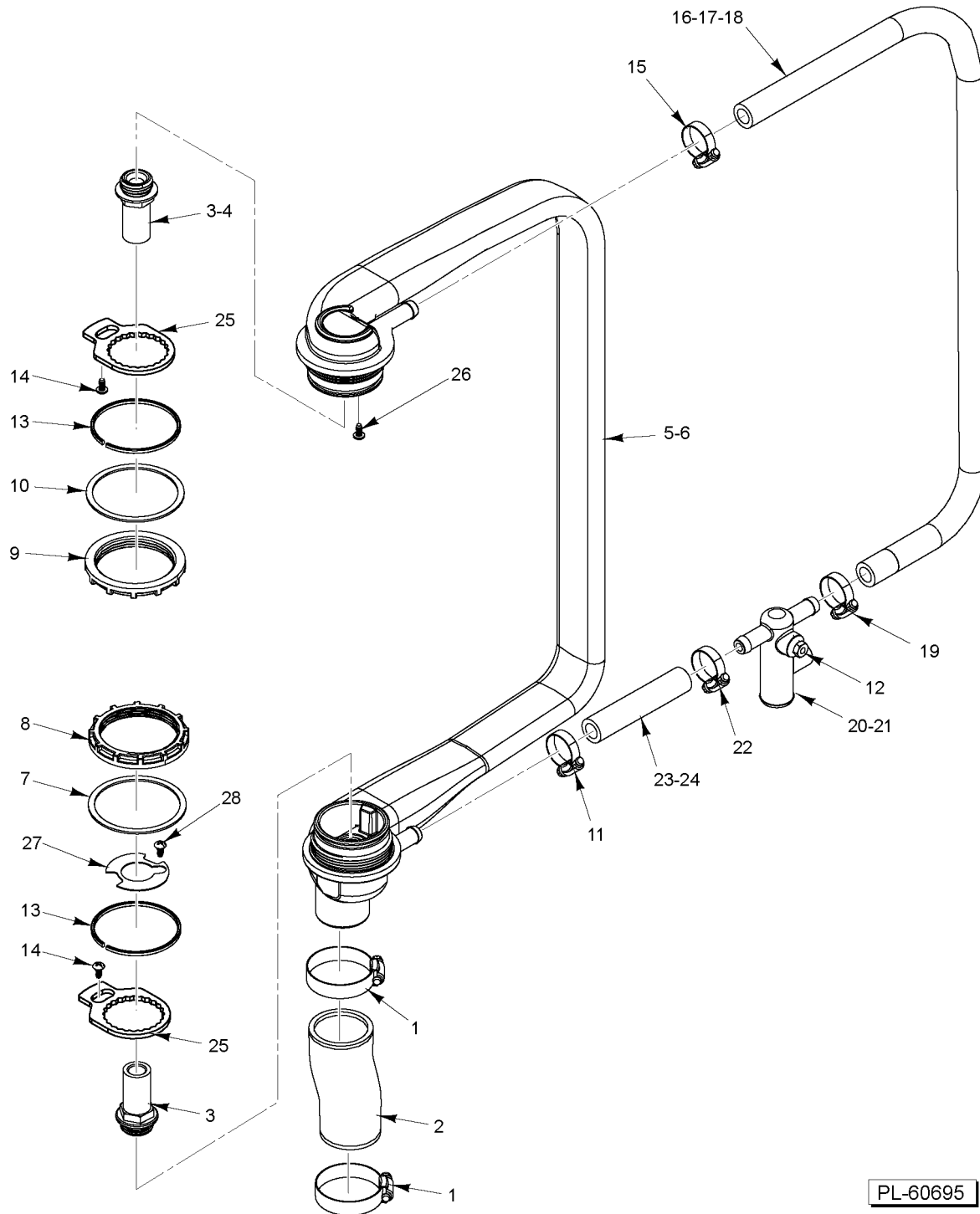


PL-60707

WASH ARM AND RINSE ARM ASSEMBLY

WASH ARM AND RINSE ARM ASSEMBLY

ILLUS.	PART NO.	NAME OF PART	AMT.
PL-60707			
1	0A-108459	Hub - Wash Arm.....	1
2	0P-678573	Self-Tapping Screw 10-16 x 3/8 Phil. Pan Hd., Type B.....	2
3	0A-108400	Arm - Wash (SU-L & SU-H).....	1
4	0A-108401	Wash Arm Assy. (Incls. Items 1, 2, & 3) (SU-L & SU-H).....	1
5	0A-109401	Wash Arm Assy. (Incls. Items 1 & 2) (SG).....	1
6	0B-108468	Base - Rinse Arm.....	1
7	0P-578467	Gasekt - Rinse Arm.....	1
8	0P-678572	Self-Tapping Screw.....	2
9	0A-108458	Arm - Rinse.....	1
10	0B-108408	Rinse Arm Assy. (Incls. Items 6 thru 9) (SU-L & SU-H).....	1
11	0B-109408	Rinse Arm Assy. (Incls. Items 6 thru 9) (SG).....	1
12	0B-108408	Rinse Arm Assy. (Incls. Items 13 thru 17) (SU-L & SU-H).....	1
13	0A-108458	Arm - Rinse.....	1
14	0P-678572	Self-Tapping Screw.....	2
15	0P-578467	Gasekt - Rinse Arm.....	1
16	0B-108468	Base - Rinse Arm.....	1
17	0A-108401	Wash Arm Assy. (Incls. Items 19, 20, & 21) (SU-L & SU-H).....	1
18	0A-109401	Wash Arm Assy. (Incls. Items 20 & 21) (SG).....	1
19	0A-108400	Arm - Wash (SU-L & SU-H).....	1
20	0P-678573	Self-Tapping Screw 10-16 x 3/8 Phil. Pan Hd., Type B.....	2
21	0A-108459	Hub - Wash Arm.....	1

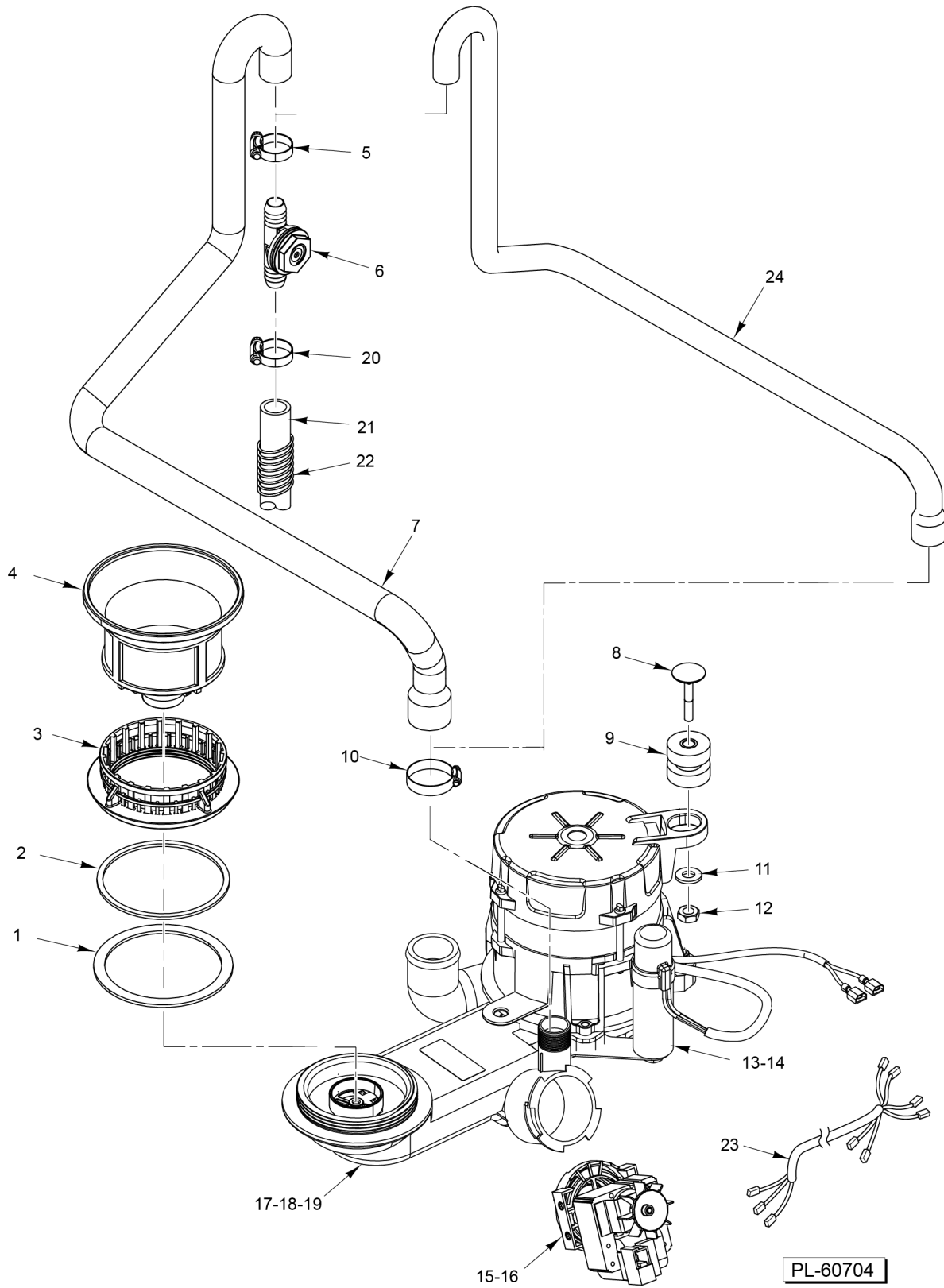


PL-60695

WASH PIPE ASSEMBLY

WASH PIPE ASSEMBLY

ILLUS.	PART NO.	NAME OF PART	AMT.
PL-60695			
1	0A-108082	Clamp - Hose.....	2
2	0P-688421	Hose - Outlet Pump.....	1
3	0A-108399	Shaft - Rinse (SU-H & SU-L).....	2
4	0A-109399	Shaft - Rinse (SG).....	2
5	0A-108404	Wash Tube (SU-H & SU-L).....	1
6	0A-108405	Wash Tube (SG).....	1
7	0P-578566	O-Ring.....	1
8	0P-678409	Nut - Wash.....	1
9	0P-678409	Nut - Wash.....	1
10	0P-578566	O-Ring.....	1
11	0A-108383	Clamp - Hose.....	1
12	0P-658206	Probe Assy. - Rinse.....	1
13	0P-578513	Ring - Sealing.....	2
14	0P-678573	Self-Tapping Screw 10-16 x 3/8 Phil. Pan Hd., Type B.....	2
15	0A-108383	Clamp - Hose.....	1
16	0P-688378	Hose - Rinse (Upper) (SU-H).....	1
17	0P-688393	Hose - Rinse (Upper) (SG).....	1
18	0P-688392	Hose - Rinse (Upper) (SU-L).....	1
19	0A-108383	Clamp - Hose.....	1
20	0P-688453	Manifold - Rinse (Hot) (SU-H).....	1
21	0P-688454	Manifold - Rinse (Cold) (SU-L & SG).....	1
22	0A-108383	Clamp - Hose.....	1
23	0P-688377	Hose - Rinse (Lower) (Hot) (SU-H).....	1
24	0P-688391	Hose - Rinse (Lower) (Cold) (SU-L & SG).....	1
25	0P-678507	Retainer - Rinse Shaft.....	2
26	0P-678573	Self-Tapping Screw 10-16 x 3/8 Phil. Pan Hd., Type B.....	1
27	0A-108407	Choke - Wash.....	1
28	0P-678573	Self-Tapping Screw 10-16 x 3/8 Phil. Pan Hd., Type B.....	1

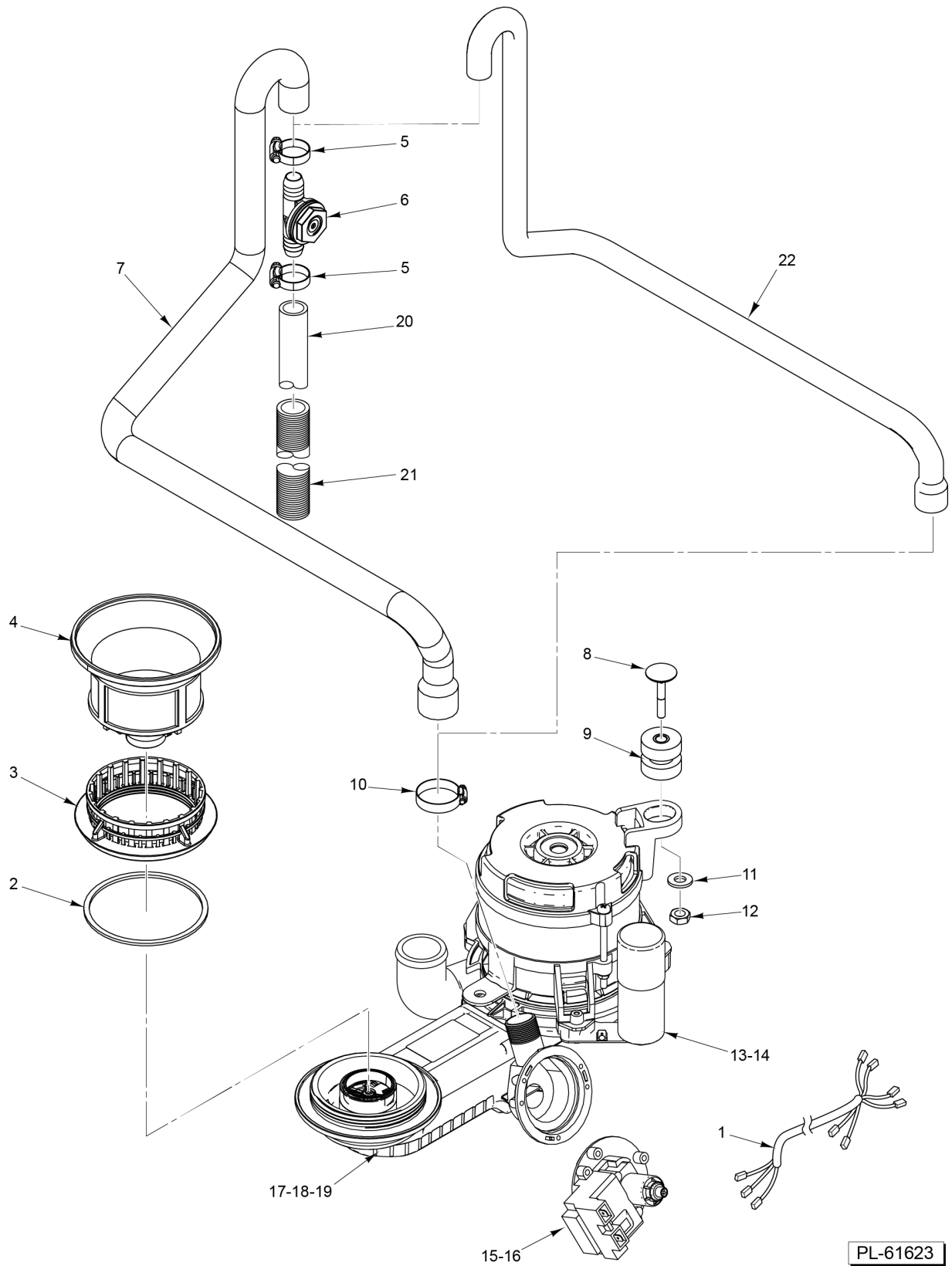


PL-60704

**WASH PUMP AND DRAIN
(BEFORE S/N 231216741)**

**WASH PUMP AND DRAIN
(BEFORE S/N 231216741)**

ILLUS. PL-60704	PART NO.	NAME OF PART	AMT.
1	0A-108547	Ring.....	1
2	0P-578485	Gasket - Wash Pump.....	1
3	0A-108549	Nut.....	1
4	0A-108544	Strainer - Sieve (Fine).....	1
5	0A-108383	Clamp - Hose.....	1
6	0P-688389	Tee - Check Valve.....	1
7	0P-688437	Hose - Drain (SU-H & SU-L).....	1
8	0A-108455	Bolt - Damper Carriage.....	1
9	0A-108546	Damper - Vibration.....	1
10	0A-108384	Clamp - Hose.....	1
11	0P-678170	Washer (SST).....	1
12	NS-047-82	Stop Nut 1/4-20 Hex (SST).....	1
13	0P-418494	Capacitor (120 V., 60 Hz., 1 Ph.).....	1
14	0P-418493	Capacitor (208-240 V., 50/60 Hz., 1 Ph.).....	1
15	0P-418491	Pump - Drain (60 Hz.).....	1
16	0P-418492	Pump - Drain (50 Hz.).....	1
17	0P-418486	Pump Assy. (Wash) (120 V., 60 Hz., 1 Ph.) (Incls. Items 1, 2, 3, 13, & 15).....	1
18	0P-418487	Pump Assy. (Wash) (208-240 V., 60 Hz., 1 Ph.) (Incls. Items 1, 2, 3, 14, & 15).....	1
19	0P-418488	Pump Assy. (Wash) (208-240 V., 50 Hz., 1 Ph.).....	1
20	0A-108383	Clamp - Hose.....	1
21	0P-688375	Hose - Drain (84 In.).....	1
22	0P-608382	Spring - Drain Hose.....	1
23	0P-458478	Harness - Wire (Pump).....	1
24	0P-688522	Hose - Drain (SG).....	1

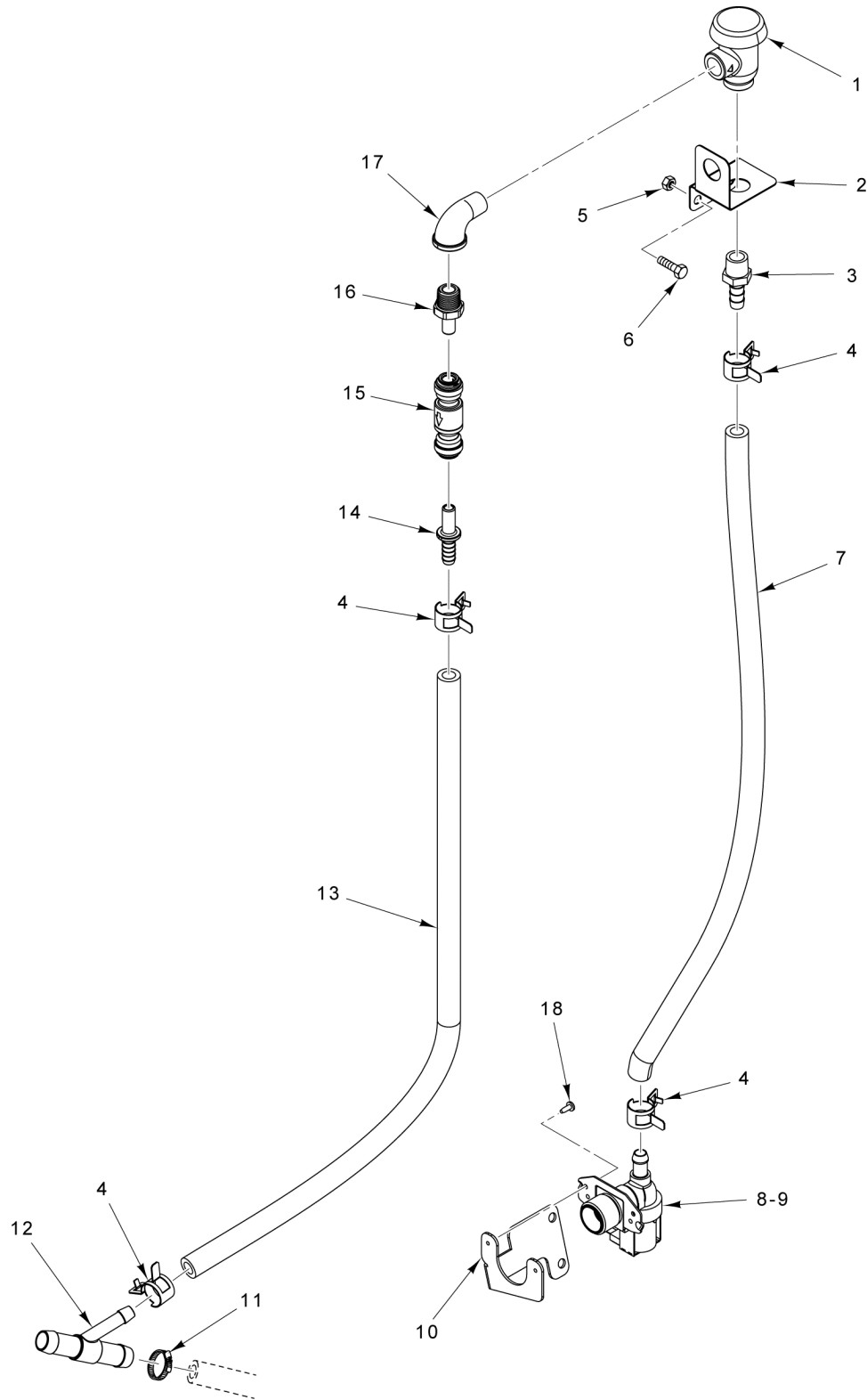


PL-61623

**WASH PUMP AND DRAIN
(STARTING S/N 231216741)**

**WASH PUMP AND DRAIN
(STARTING S/N 231216741)**

ILLUS. PL-61623	PART NO.	NAME OF PART	AMT.
1	0P-458478	Harness - Wire (Pump).....	1
2	0P-578485	Gasket - Wash Pump.....	1
3	0A-108549	Nut.....	1
4	0A-108544	Strainer - Sieve (Fine).....	1
5	0A-108383	Clamp - Hose.....	2
6	0P-688389	Tee - Check Valve.....	1
7	0P-688437	Hose - Drain.....	1
8	0A-108455	Bolt - Damper Carriage.....	1
9	0A-108546	Damper - Vibration.....	1
10	0A-108384	Clamp - Hose.....	1
11	0P-678170	Washer (SST).....	1
12	NS-047-82	Stop Nut 1/4-20 Hex (SST).....	1
13	0P-419494	Capacitor (120 V., 60 Hz., 1 Ph.).....	1
14	0P-419493	Capacitor (208-240 V., 50/60 Hz., 1 Ph.).....	1
15	0P-419491	Pump - Drain (60 Hz.).....	1
16	0P-419492	Pump - Drain (50 Hz.).....	1
17	0P-419486	Kit - Pump Assy. (Wash) (120 V., 60 Hz., 1 Ph.) (Incls. Items 1 thru 3, 13, & 15).....	1
18	0P-419487	Kit - Pump Assy. (Wash) (208-240 V., 60 Hz., 1 Ph.) (Incls. Items 1 thru 3, 13, & 15)	1
19	0P-419488	Kit - Pump Assy. (Wash) (220-240 V., 50 Hz., 1 Ph.) (Incls. Items 1 thru 3, 13, & 15)	1
20	0P-688375	Hose - Drain.....	1
21	0P-609382	Cover - Drain Hose.....	1
22	0P-688522	Hose - Drain (SG).....	1

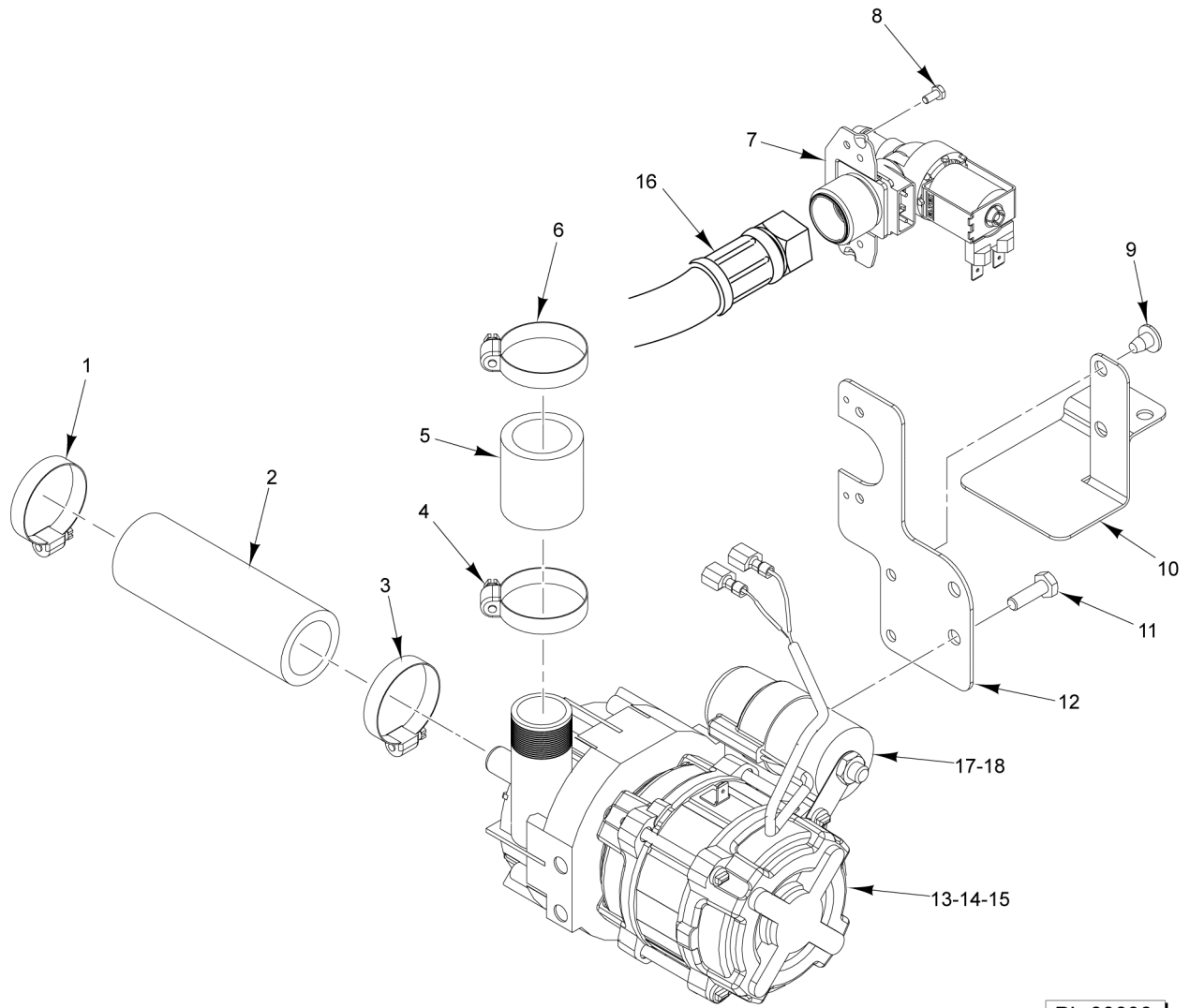


PL-60897

DRAIN WATER TEMPERING

DRAIN WATER TEMPERING

ILLUS.	PART NO.	NAME OF PART	AMT.
PL-60897			
1	0P-628587	Vacuum Breaker (3/8 In.).....	1
2	0A-108594	Mount - Breaker.....	1
3	0P-688589	Fitting - Hose 3/8 to 3/8 NPT (Brass).....	1
4	0A-108385	Clamp.....	4
5	0P-678595	Stop Nut 1/4-20 Hex (SST).....	4
6	0P-678596	Cap Screw 1/4-20 x 1/2 Hex Hd. (SST).....	4
7	0P-688593	Hose 3/8 x 22.....	1
8	0P-628456	Valve (Deltrol).....	1
9	0P-458599	Harness - Wiring.....	1
10	0A-108586	Bracket - Pump.....	1
11	0A-108383	Clamp - Hose.....	2
12	0P-688585	Adapter - Tee.....	1
13	0P-688592	Hose 3/8 x 26-1/2.....	1
14	0P-688591	Fitting 3/8 Stem x 3/8 Barb.....	1
15	0P-628597	Valve - Check (3/8 In.) (Quick Connect).....	1
16	0P-688590	Fitting 3/8 NPT x 3/8 Stem.....	1
17	0P-688588	Elbow - Street 3/8 x 90 Deg.....	1
18	0P-678598	Self-Tapping Screw 6-20 x 3/8 Phil. Bndg. Hd., Type B.....	2

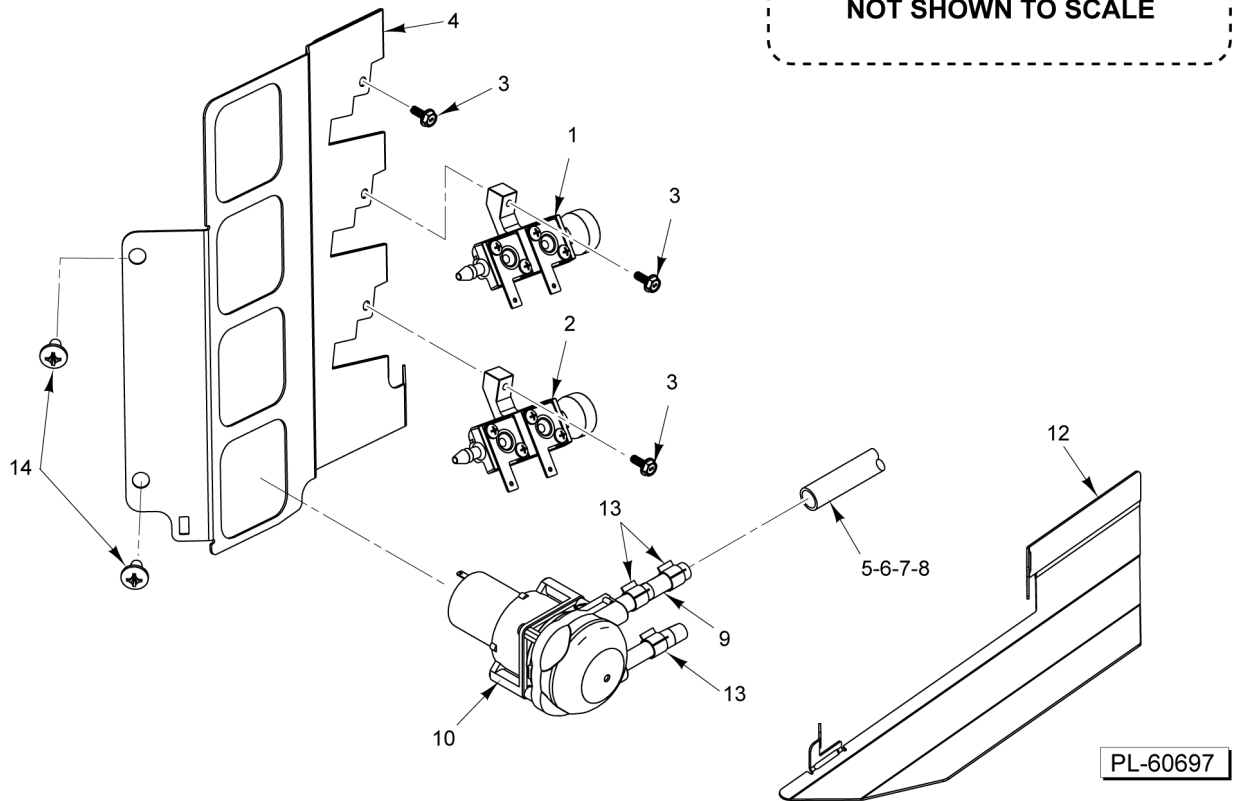
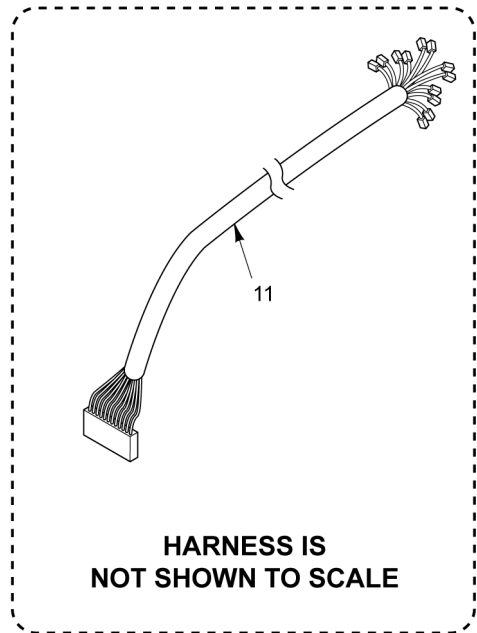
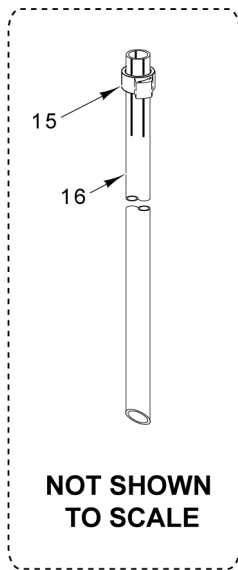


PL-60696

RINSE PUMP

RINSE PUMP

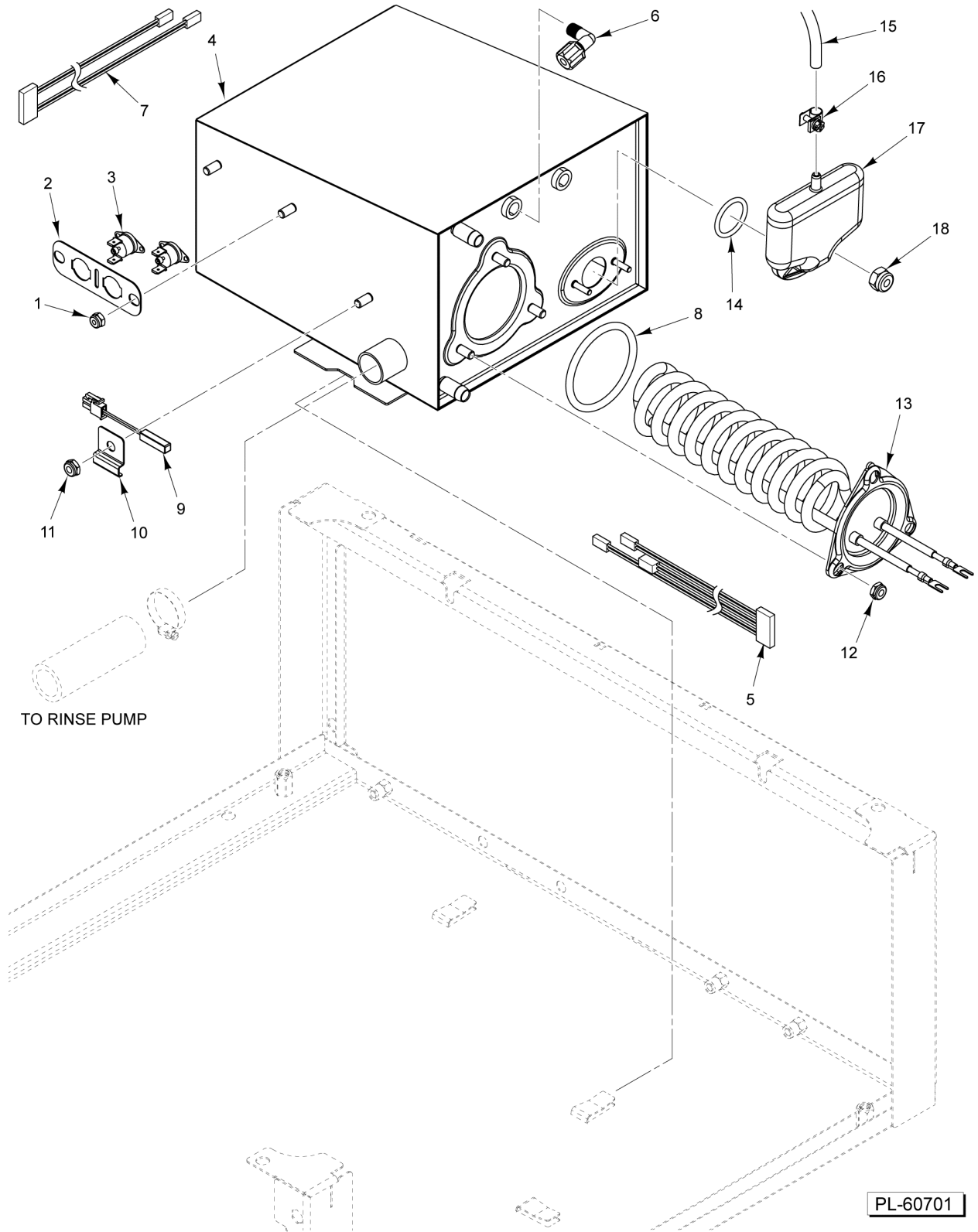
ILLUS.	PART NO.	NAME OF PART	AMT.
PL-60696			
1	0A-108384	Clamp - Hose.....	1
2	0P-688420	Hose - Inlet (4 In.).....	1
3	0A-108384	Clamp - Hose.....	1
4	0A-108384	Clamp - Hose.....	1
5	0P-688419	Hose - Outlet (1-3/4 In.).....	1
6	0A-108384	Clamp - Hose.....	1
7	0P-628456	Valve (Deltrol).....	1
8	0P-678159	Self-Tapping Screw 6-20 x 3/8 Phil. Bndg. Hd., Type B.....	2
9	0P-678348	Self-Tapping Screw 1/4-20 x 3/8 Phil. Pan Hd., Type TT.....	2
10	0A-108434	Bracket - Pump (Rinse).....	1
11	0P-678569	Cap Screw M6 x 1.0 x 18mm Hex Hd. (SST).....	2
12	0A-108452	Mount - Fill Valve.....	1
13	0P-418489	Pump - Rinse (120 V.).....	1
14	0P-418490	Pump - Rinse (208-240 V., 60 Hz.).....	1
15	0P-428532	Cover - Mylar (Rinse Pump).....	1
16	0P-688376	Hose - Fill (74 In.).....	1
17	0P-418496	Capacitor (120 V.) (Incls. Hardware).....	1
18	0P-418495	Capacitor (208-240 V.) (Incls. Hardware).....	1



CHEMICAL PUMPS AND SENSORS

CHEMICAL PUMPS AND SENSORS

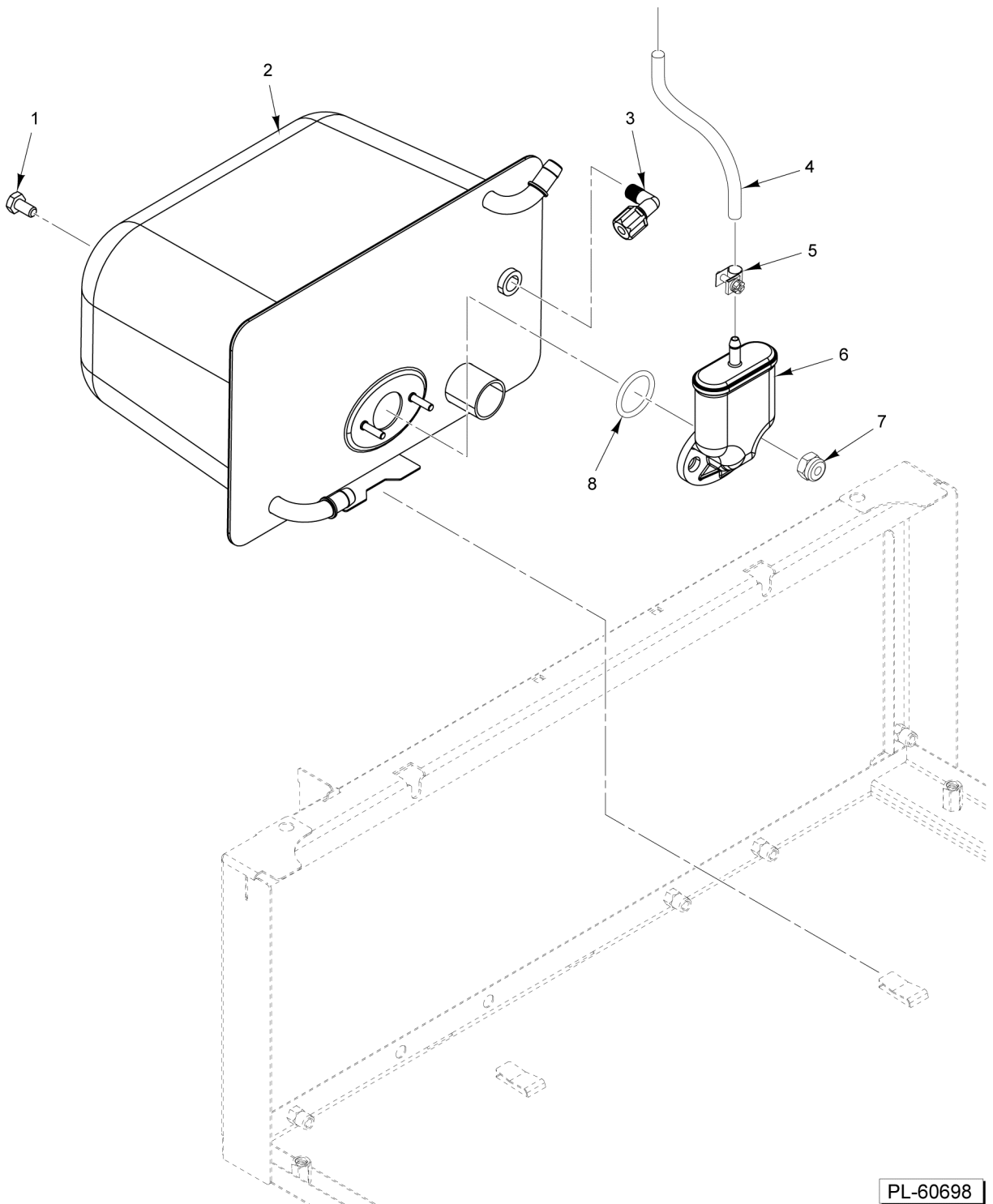
ILLUS.	PART NO.	NAME OF PART	AMT.
PL-60697			
1	0P-658541	Sensor (Chemical) (Detergent/Sanitizer).....	1
2	0P-658542	Sensor (Chemical) (Rinse Aid).....	1
3	0P-678388	Self-Tapping Screw.....	3
4	0A-108427	Bracket - Chemical Pump.....	1
5	0P-688365	Tubing (Clear) (9.5 In.) (Pump to Sanitizer).....	AR
6	0P-688366	Tubing (Clear) (12.5 In.) (Pump to R/A Cold).....	AR
7	0P-688367	Tubing (Clear) (15 In.) (Pump to R/A Hot).....	AR
8	0P-688368	Tubing (Clear) (30 In.) (Pump to Delime Cold).....	AR
9	0P-688531	Tubing (Used on Welco Pumps Only).....	AR
10	0P-418406	Pump - Chemical (Blue) (Incls. Item 9).....	AR
11	0P-458469	Harness - Wire (Chemical Pumps & Sensors).....	1
12	0A-108540	Drip Pan.....	1
13	0P-688362	Clamp - Spring Action Hose.....	3
14	0P-678348	Self-Tapping Screw 1/4-20 x 3/8 Phil. Pan Hd., Type TT.....	2
15	0P-688032	Clamp - Hose 7/16.....	1
16	0A-108033	Stand Pipe 20-1/2 Lg.....	1



**BOOSTER ASSEMBLY
(HOT) (SU-H)**

**BOOSTER ASSEMBLY
(HOT) (SU-H)**

ILLUS.	PART NO.	NAME OF PART	AMT.
PL-60701			
1	0P-678143	Stop Nut 1/4-20 Hex (SST).....	2
2	0A-108402	Bracket - High Limit.....	1
3	0P-658504	Protector - High Limit.....	2
4	0P-648438	Booster.....	1
5	0P-458471	Harness - Wire (Temperature Probes).....	1
6	0P-678562	Fitting - Tube 1/4.....	1
7	0P-458470	Harness - Wire (High Limit).....	1
8	0P-578174	O-Ring.....	1
9	0P-658423	Thermistor.....	1
10	0A-108451	Back - Thermistor.....	1
11	0P-678143	Stop Nut 1/4-20 Hex (SST).....	1
12	0P-678143	Stop Nut 1/4-20 Hex (SST).....	3
13	0P-558433	Element - Heater (208-240 V., 1 Ph.).....	1
14	0P-578564	O-Ring.....	1
15	0P-688537	Kit - Tubing (Incls. Item 16) (Cut to 28 In.).....	1
16	0P-688362	Clamp - Spring Action Hose.....	2
17	0A-108501	Trap - Air.....	1
18	0P-678143	Stop Nut 1/4-20 Hex (SST).....	2

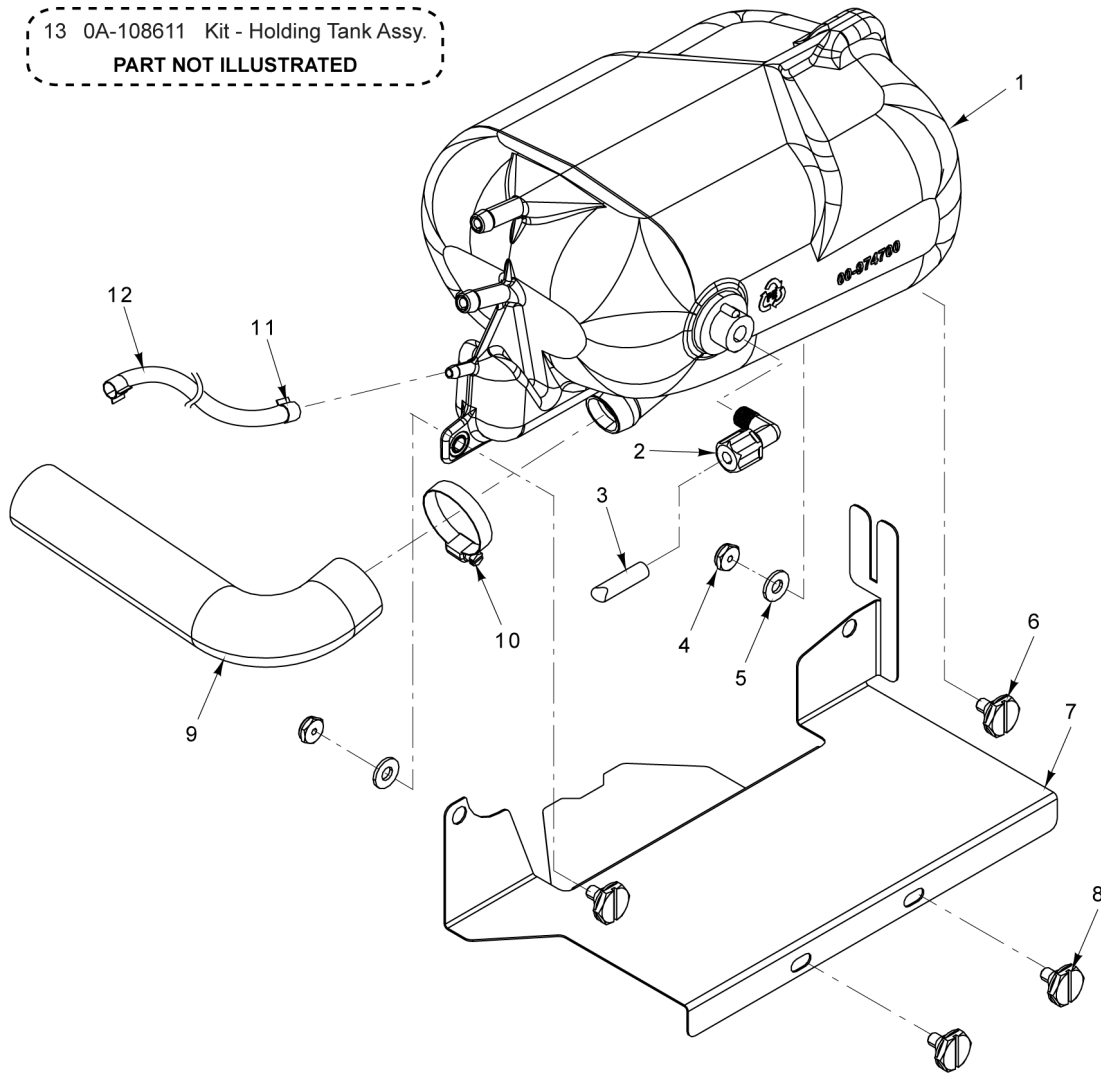


**RECOVERY TANK ASSEMBLY
(COLD) METAL TANK
(SU-L & SG)**

**RECOVERY TANK ASSEMBLY
(COLD) METAL TANK
(SU-L & SG)**

ILLUS.	PART NO.	NAME OF PART	AMT.
PL-60698			
1	0P-678568	Cap Screw 1/4-20 x 1/2 Hex Hd. (SST).....	2
2	0P-648432	Booster - Recovery.....	1
3	0P-678562	Fitting - Tube 1/4.....	1
4	0P-688537	Kit - Tubing (Incls. Item 5) (Cut to 33 In.).....	1
5	0P-688362	Clamp - Spring Action Hose.....	2
6	0A-108501	Trap - Air.....	1
7	0P-678143	Stop Nut 1/4-20 Hex (SST).....	2
8	0P-578564	O-Ring.....	1

13 0A-108611 Kit - Holding Tank Assy.
PART NOT ILLUSTRATED



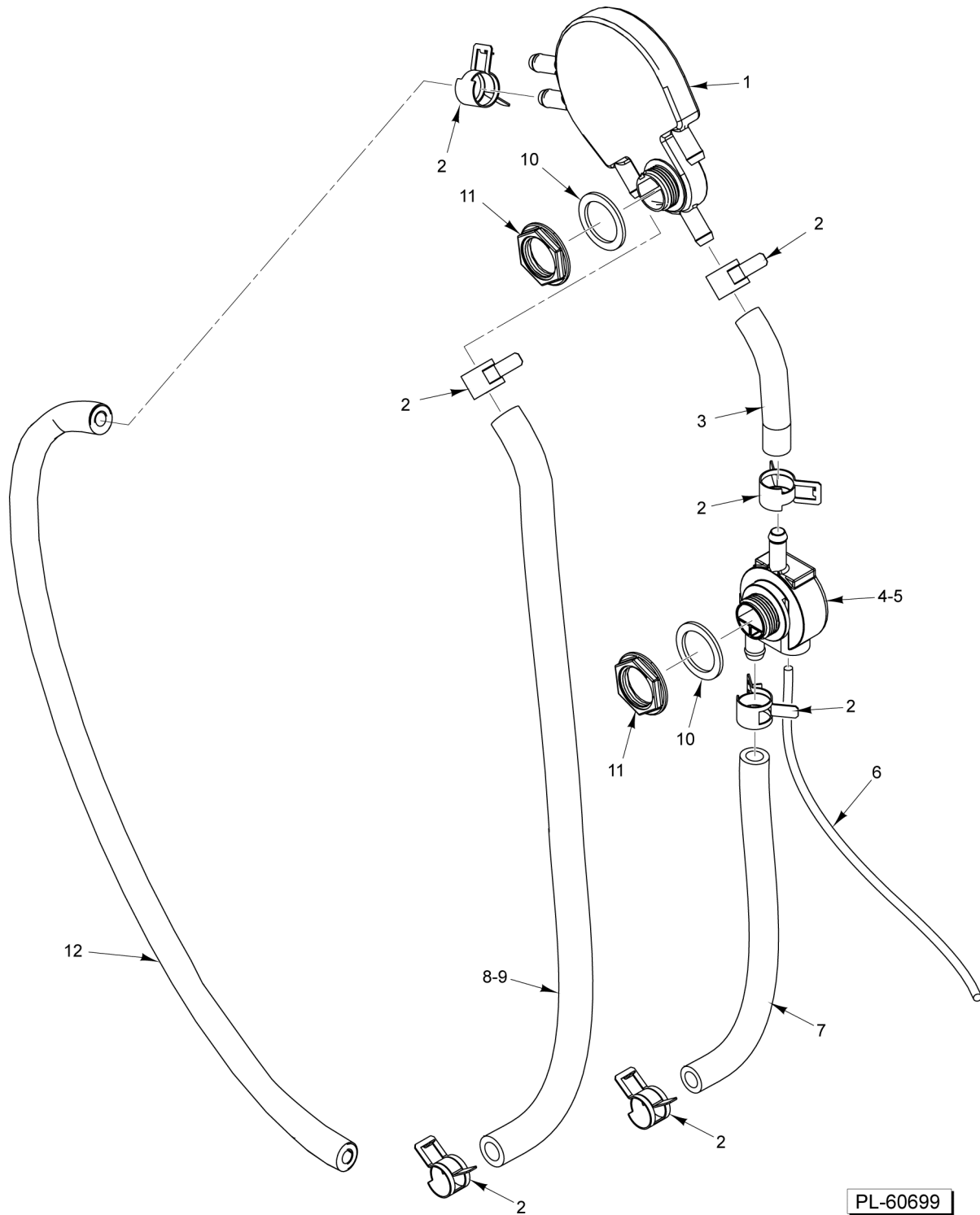
PL-65063

**RECOVERY TANK ASSEMBLY
(COLD) MOLDED TANK
(SU-L & SG)**

**RECOVERY TANK ASSEMBLY
(COLD) MOLDED TANK
(SU-L & SG)**

ILLUS.	PART NO.	NAME OF PART	AMT.
PL-65063			
1	0A-108613	Tank - Recovery.....	1
2	0P-678562	Fitting - Tube 1/4.....	1
3	0P-688614	Tube - Pump to Recover Assy.....	1
4	0P-678143	Stop Nut 1/4-20 Hex (SST).....	2
5	0P-678170	Washer (SST).....	2
6	0P-678148	Cap Screw 1/4-20 x 5/8 Hex Hd. (SST).....	2
7	0A-108615	Mount - Booster.....	1
8	0P-678342	Cap Screw 1/4-20 x 1/2 Hex Hd. (SST).....	2
9	0P-688616	Hose - Rinse Pump Inlet.....	1
10	0A-108384	Clamp - Hose.....	1
11	0P-688362	Clamp - Spring Action Hose.....	2
12	0P-688612	Tube - PVC (28").....	1
*13	0A-108611	Kit - Holding Tank Assy. (Incls. Items 1 thru 12).....	1

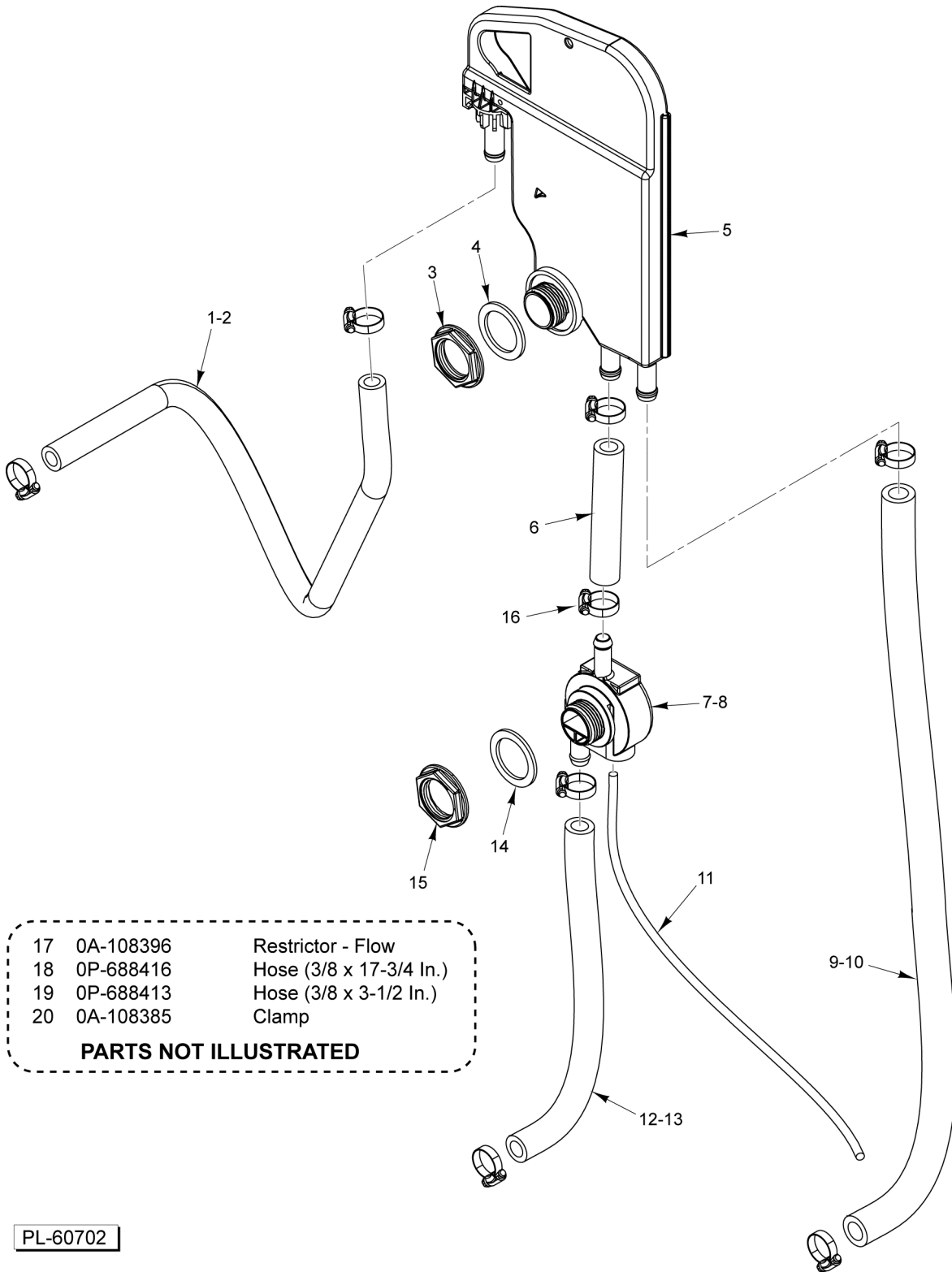
* Order Kit to Replace SST Tank Only. Order Failed Components if Molded Tank



FILL AIR GAP (SG)

FILL AIR GAP (SG)

ILLUS.	PART NO.	NAME OF PART	AMT.
PL-60699			
1	0A-108536	Fill - Air Assy. (Incls. Label).....	1
2	0A-108385	Clamp.....	AR
3	0P-688417	Hose 3/8 (3.75 In. Lg.).....	AR
4	0A-108435	Adapter - Chemical.....	1
5	0A-108436	Adapter - Chemical (Cold).....	1
6	0P-688364	Tubing (Clear) (17.5 In.).....	AR
7	0P-688412	Hose 3/8 (9 In. Lg.).....	AR
8	0P-688411	Hose 3/8 (19.25 In. Lg.) Hose 3/8 (19.88 In. Lg.)	AR
9	0P-688418	Hose 3/8 (28 In. Lg.).....	AR
10	0P-678482	Washer - Air Gap.....	2
11	00-974952	Nut - Adapter.....	2
12	0P-688410	Hose 3/8 (23.62 In. Lg.).....	AR



**FILL AIR GAP
(SU-H & SU-L)**

**FILL AIR GAP
(SU-H & SU-L)**

ILLUS.	PART NO.	NAME OF PART	AMT.
PL-60702			
1	0P-688410	Hose 3/8 (23.62 In. Lg.).....	AR
2	0P-688415	Hose 3/8 (15 In. Lg.).....	AR
3	00-974952	Nut - Adapter.....	2
4	0P-678482	Washer - Air Gap.....	2
5	0A-108548	Air Gap.....	1
6	0P-688413	Hose 3/8 (3.5 In. Lg.).....	AR
7	0A-108435	Adapter - Chemical.....	1
8	0A-108436	Adapter - Chemical (SU-L).....	1
9	0P-688411	Hose 3/8 (19.25 In. Lg.) Hose 3/8 (19.88 In. Lg.).....	AR
10	0P-688414	Hose 3/8 (25 In. Lg.).....	AR
11	0P-688364	Tubing (Clear) (17.5 In.).....	AR
12	0P-688412	Hose 3/8 (9 In. Lg.) (SU-H).....	AR
13	0P-688412	Hose 3/8 (9 In. Lg.) (SU-L).....	AR
14	0P-678482	Washer - Air Gap.....	1
15	00-974952	Nut - Adapter.....	1
16	0A-108385	Clamp.....	8
17	0A-108396	Restrictor - Flow.....	1
18	0P-688416	Hose 3/8 (17.75 In. Lg.).....	1
19	0P-688413	Hose 3/8 (3.5 In. Lg.).....	1
20	0A-108385	Clamp.....	1

