



STERO SD3

DOOR-TYPE DISHWASHER



STANDARD FEATURES

- .85 gallons per rack
- 58 racks per hour – hot water sanitizing
- 65 racks per hour – chemical sanitizing
- Timed wash cycles for 1, 2 or 4 minutes
- Digital control status
- 180° final rinse assurance
- Interchangeable upper and lower wash and rinse arms
- Automatic tank fill
- Door actuated start
- Automatic drain closure
- Exhaust fan control and booster activation included
- Stainless steel construction
- Error notification
- Straight-through or corner operation
- Hot water or chemical sanitization
- Pressure gauge



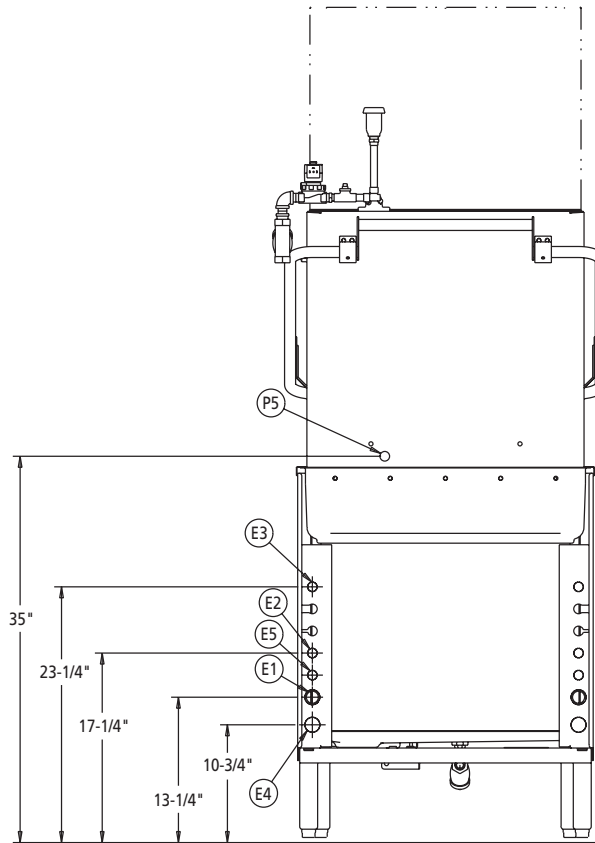
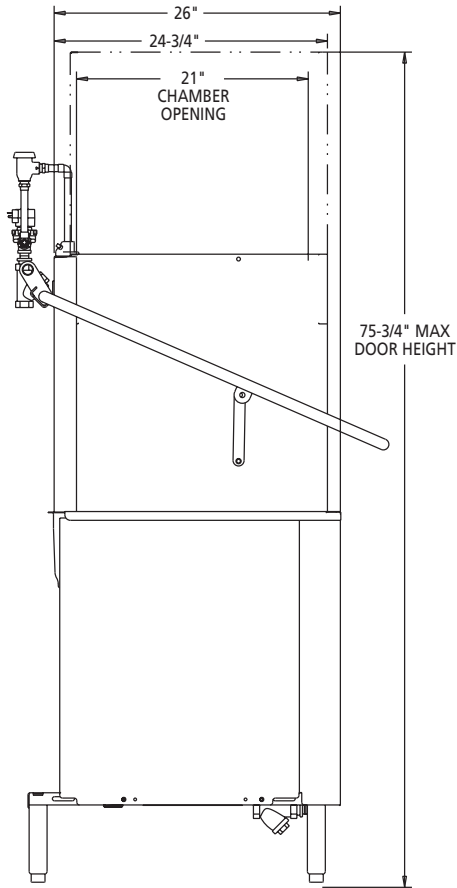
OPTIONS & ACCESSORIES

- Drain water tempering kit
- Electric booster heater
- Seismic feet
- Single point electrical conversion kit (3-phase only)
- Pressure reducing valve
- Shock arrestor

MACHINE RATINGS	SD3 Hot Water Sanitizing	SD3 Chemical Sanitizing
Racks per Hour <i>(Maximum)</i>	58	65
Wash Motor H.P.	2	2
Electric Heating Unit <i>(Regulated)</i>	5 KW	5 KW
Electric Booster Heater	8.5 KW	—
Rate of Rinse Flow – <i>Gallons per Minute – at 20 PSI Flow Pressure</i>	5.1	5.1
Rinse Cycle – <i>Gallons per Rack – at 20 PSI Flow Pressure</i>	.97 – 180°F Minimum	.97 – 140°F Minimum
Peak Rate of Drain Flow – <i>Gallons per Minute (Initial rate with full tank)</i>	14	14
Incoming Water Temperature Required <i>(Minimum)</i>	110°F	140°F

STERO SD3

DOOR-TYPE DISHWASHER



SD3 WITH ELECTRIC HEAT			
ELEC. SPECS	RATED AMPS	MINIMUM SUPPLY CIRCUIT CONDUCTOR AMPACITY	MAXIMUM OVERCURRENT PROTECTIVE DEVICE
208-240/60/1	43.0	50	50
208-240/60/3	24.9	30	30
480/60/3	13.4	15	15

BOOSTER AMPACITY RATINGS 8.5KW			
ELEC. SPECS	RATED AMPS	MINIMUM SUPPLY CIRCUIT CONDUCTOR AMPACITY	MAXIMUM OVERCURRENT PROTECTIVE DEVICE
208-240/60/1	35.4	50	50
208-240/60/3	20.4	30	30
480/60/3	10.2	15	15

OPTIONAL SD3 SINGLE POINT ELECTRICAL SERVICE CONNECTION			
ELEC. SPECS.	RATED AMPS	MINIMUM SUPPLY CIRCUIT CONDUCTOR AMPACITY	MAXIMUM OVERCURRENT PROTECTIVE DEVICE
208-240/60/3	45.4	60	60
480/60/3	23.7	30	30

⚠ WARNING

Electrical and grounding connections must comply with the applicable portions of the National Electrical Code and/or other local electrical codes.

Plumbing connections must comply with applicable sanitary, safety and plumbing codes. Drain and fill line configurations vary, some methods are shown on this drawing.

CONNECTION INFORMATION (*AFF - ABOVE FINISHED FLOOR)

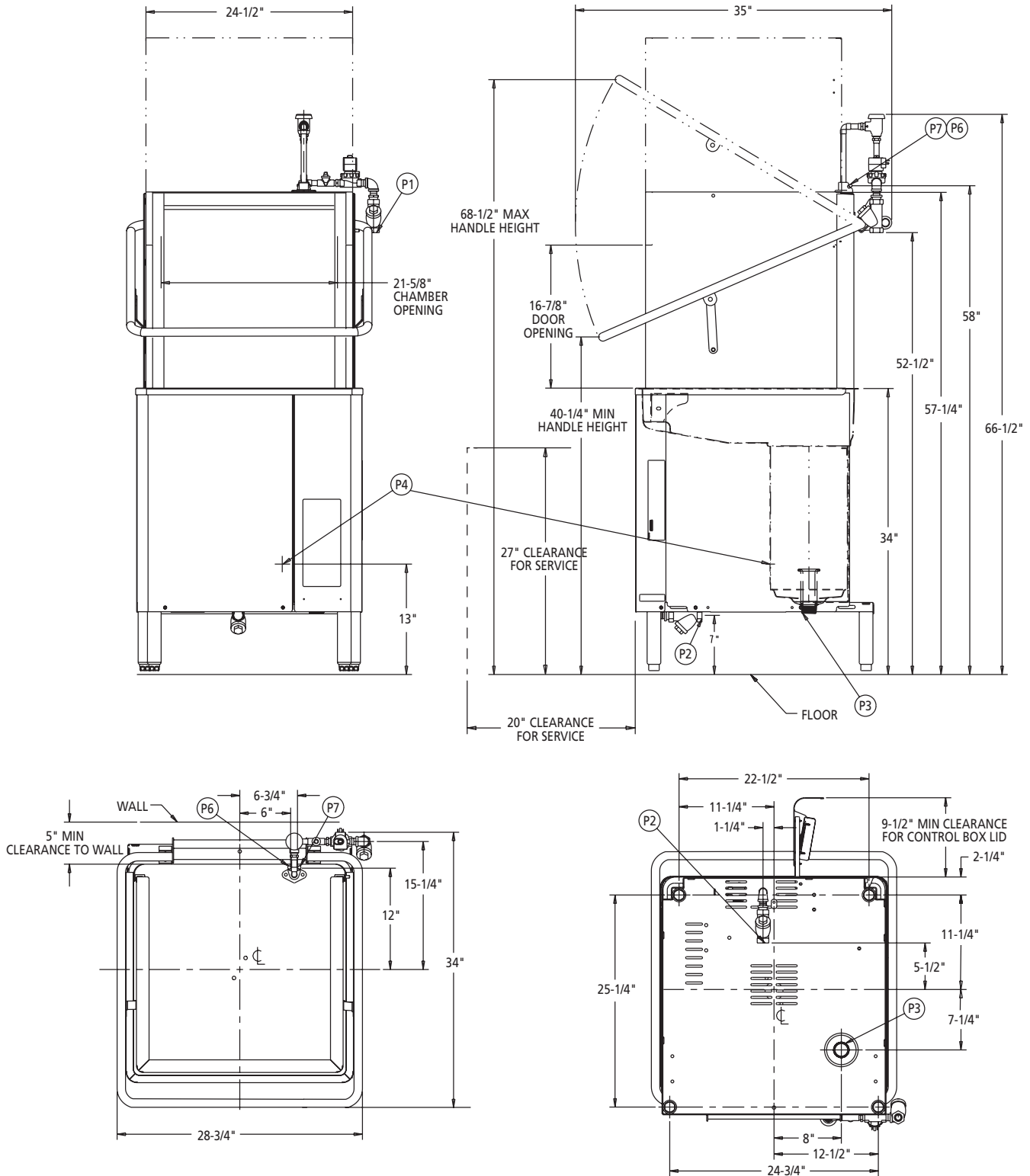
LEGEND

- E1 ELECTRICAL CONNECTION: MOTORS & CONTROLS (INCLUDING ELECTRIC HEAT). 1" OR 3/4" CONDUIT HOLE.
- E2 ELECTRICAL CONNECTION: EXHAUST FAN CONTROL, 1/2" CONDUIT HOLE. (VFC1 & VFC2) 1.5 AMPS @ NAMEPLATE SUPPLY VOLTAGE, "ON"
- E3 ELECTRICAL CONNECTION: RINSE AGENT & SANITIZER FEEDERS, 1/2" CONDUIT HOLE. (DPS1 & DPS2) 1.5 AMPS @ NAMEPLATE SUPPLY VOLTAGE, (RPS1 & RPS2) 1.5 AMPS @ NAMEPLATE SUPPLY VOLTAGE
- E4 ELECTRICAL CONNECTION: ELECTRIC BOOSTER, 1" CONDUIT HOLE.
- E5 ELECTRICAL CONNECTION: EXTERNAL BOOSTER CONTROL 1/2" CONDUIT HOLE. (BSTR1 & BSTR2) 0.1 AMPS @ 120 VAC
- P1 COMMON WATER CONNECTION: (W/O ELECTRIC BOOSTER) (180°F COMMON WATER CONNECTION: (W/O ELECTRIC BOOSTER) (120°F WATER MIN. CHEMICAL SANITIZING) 3/4" FPT.
- P2 COMMON WATER CONNECTION: (W/ELECTRIC BOOSTER) (110°F WATER MIN. HOT WATER SANITIZING); 3/4" FPT.
- P3 DRAIN: 1-1/2" NPT.
- P4 DETERGENT PROBE SENSOR: REMOVE CAP AND STUD ASSEMBLY TO ACCESS 7/8" HOLE
- P5 DETERGENT FEEDER: REMOVE CAP PLUG TO ACCESS 7/8" HOLE
- P6 RINSE AGENT FEEDER: 1/8" NPT, REMOVE 1/8" NPT PIPE PLUG TO ACCESS TAPPED HOLE.
- P7 SANITIZER FEEDER: (LOW TEMP MODE) 1/8" NPT, REMOVE 1/8" NPT PIPE PLUG TO ACCESS TAPPED HOLE



STERO SD3

DOOR-TYPE DISHWASHER



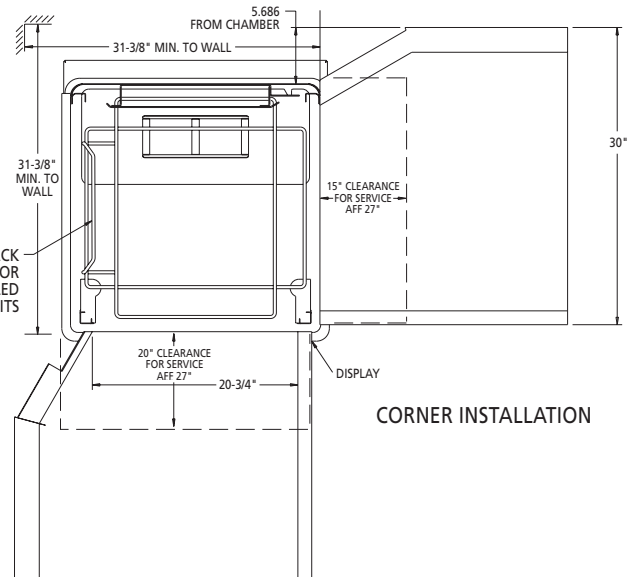
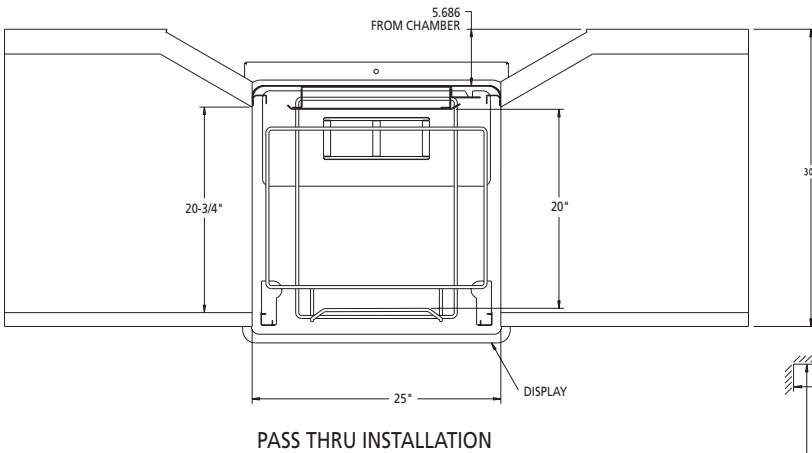
NOTICE: Certain materials, including silver, aluminum and pewter are attacked by sodium hypochlorite (liquid bleach) in the chemical sanitizing dishwasher mode of operation. Water hardness should be controlled to 3 grains or less for best results.

OVERALL DIMENSIONS: 66-1/2"H x 28-3/4"W x 34"D

MACHINE WEIGHT		
MODEL	NET WEIGHT	SHIPPING WEIGHT
SD3	270 lbs.	302 lbs.

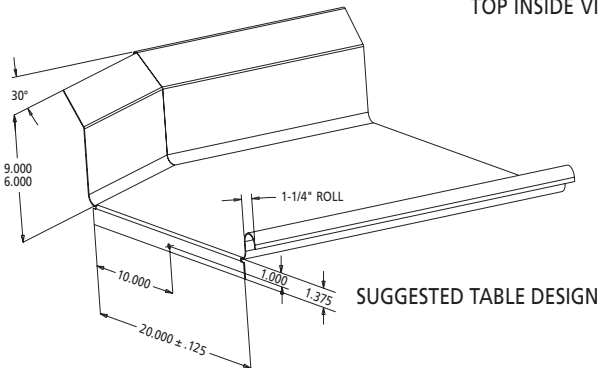
STERO SD3

DOOR-TYPE DISHWASHER

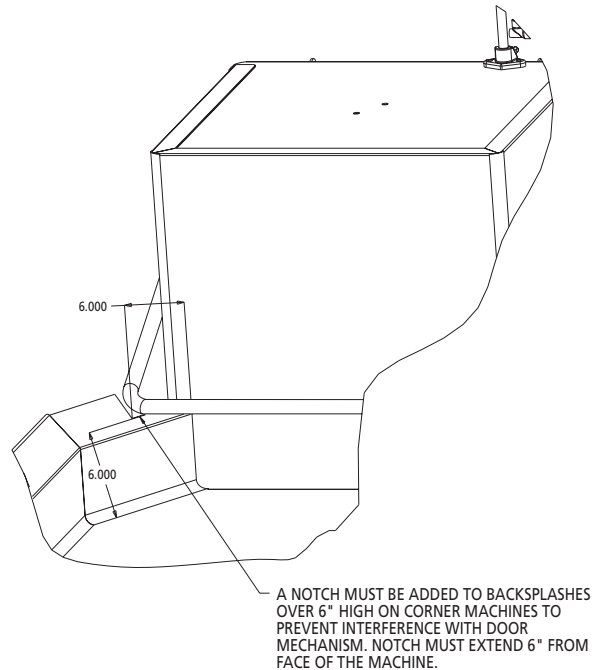
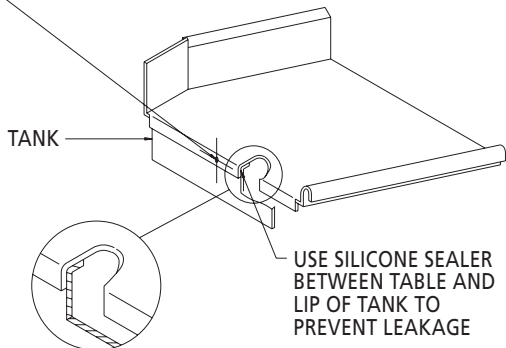


NOTE: RACK TRACK REPOSITION FOR CORNER INSTALLED UNITS

TOP INSIDE VIEW OF MACHINE



- DRILL Ø .344 HOLE THRU TANK WALL
- 5/16-18 SST TRUSS HD SCREW
- 5/16-18 SST LOCKWASHER
- 5/16-18 SST HEX HD NUT



In line with its policy to continually improve its products, Stero reserves the right to change materials and specifications without notice.