



# CATALOG OF REPLACEMENT PARTS



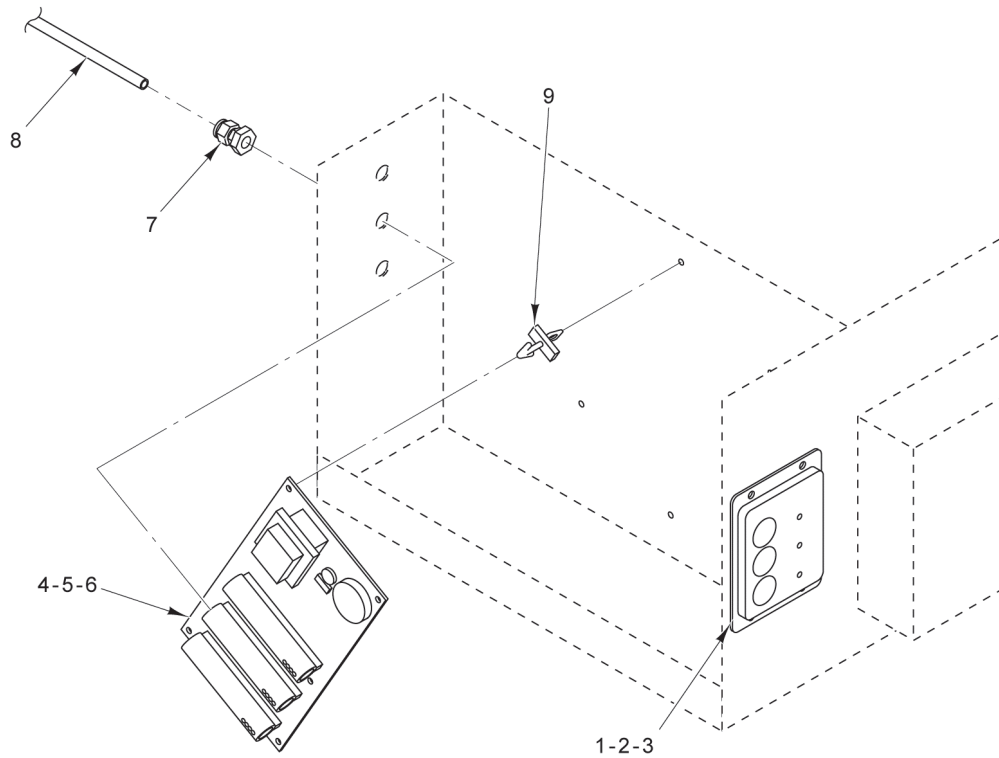
## SD1 DISHWASHER

ML-130225 SD1



### Table of Contents

7	CHEMICAL DETECTION BOX
9	CONTROL BOX
11	ELECTRICAL COMPONENTS
13	DOOR ASSEMBLY
15	WASH MOTOR AND PUMP
17	INSIDE WASH AND RINSE PIPING
19	FILL PIPING
21	DRAIN
23	TRACK



10	00-918068-00001	Chemical Detection Box Assy.
11	00-918053	Potentiometer

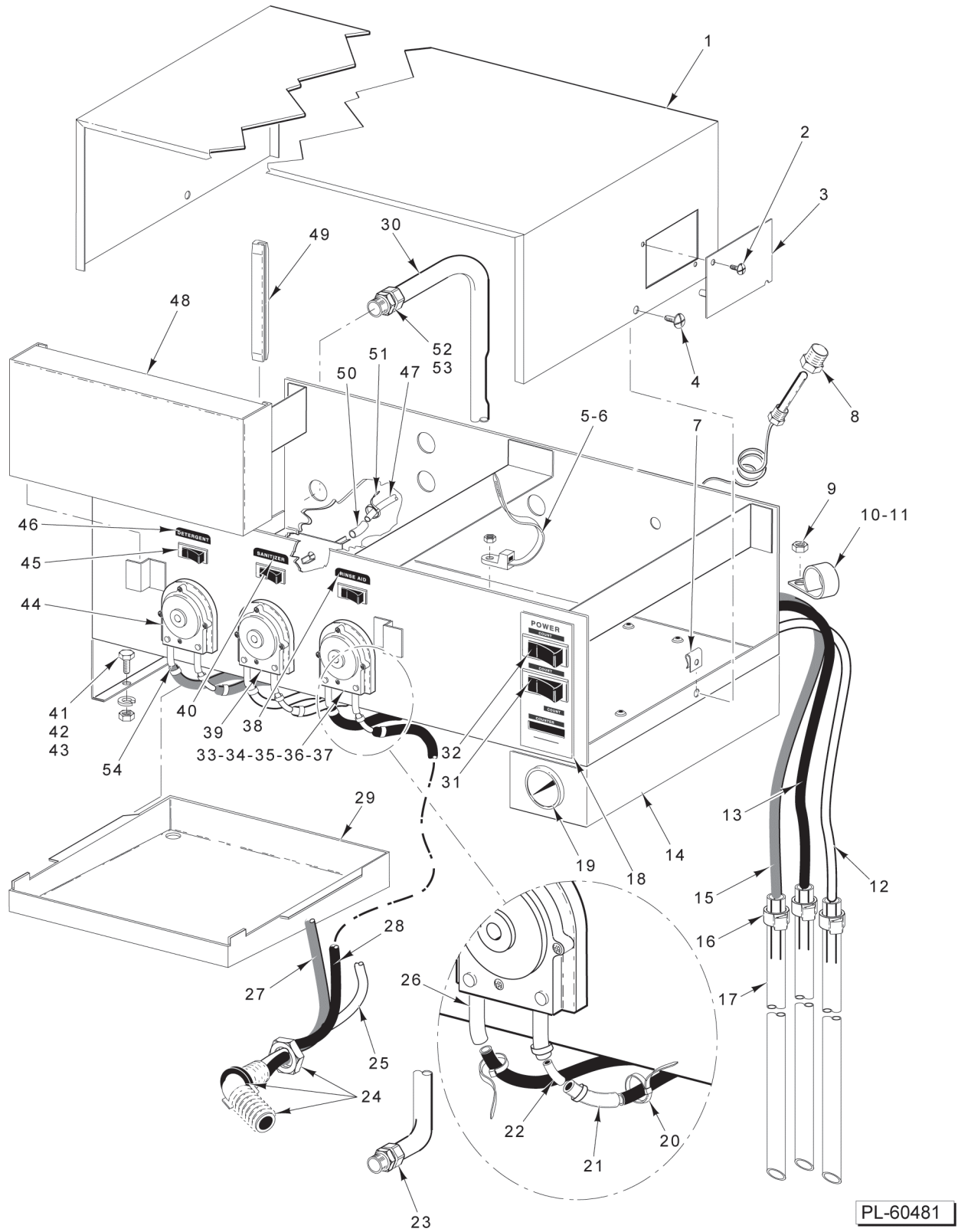
**PARTS NOT ILLUSTRATED**

PL-60480

### CHEMICAL DETECTION BOX

**CHEMICAL DETECTION BOX**

<b>ILLUS.</b>	<b>PART NO.</b>	<b>NAME OF PART</b>	<b>AMT.</b>
PL-60480			
1	00-114247-00001	Rivet - Drive.....	4
2	00-949637	Switch - Membrane (Chemical Detection).....	1
3	00-918108	Border - Keypad Protector.....	1
4	00-893766	Board Assy. - Chemical Module.....	1
5	00-892720	Standoff.....	2
6	00-813795	Barrier.....	1
7	FE-025-96	Relief - Strain Electrical.....	3
8	00-185105-00023	Tubing.....	3
9	00-329056-00001	Standoff (Dual Locking).....	4
10	00-918068-00001	Chemical Detection Box Assy.....	1
11	00-918053	Potentiometer.....	1



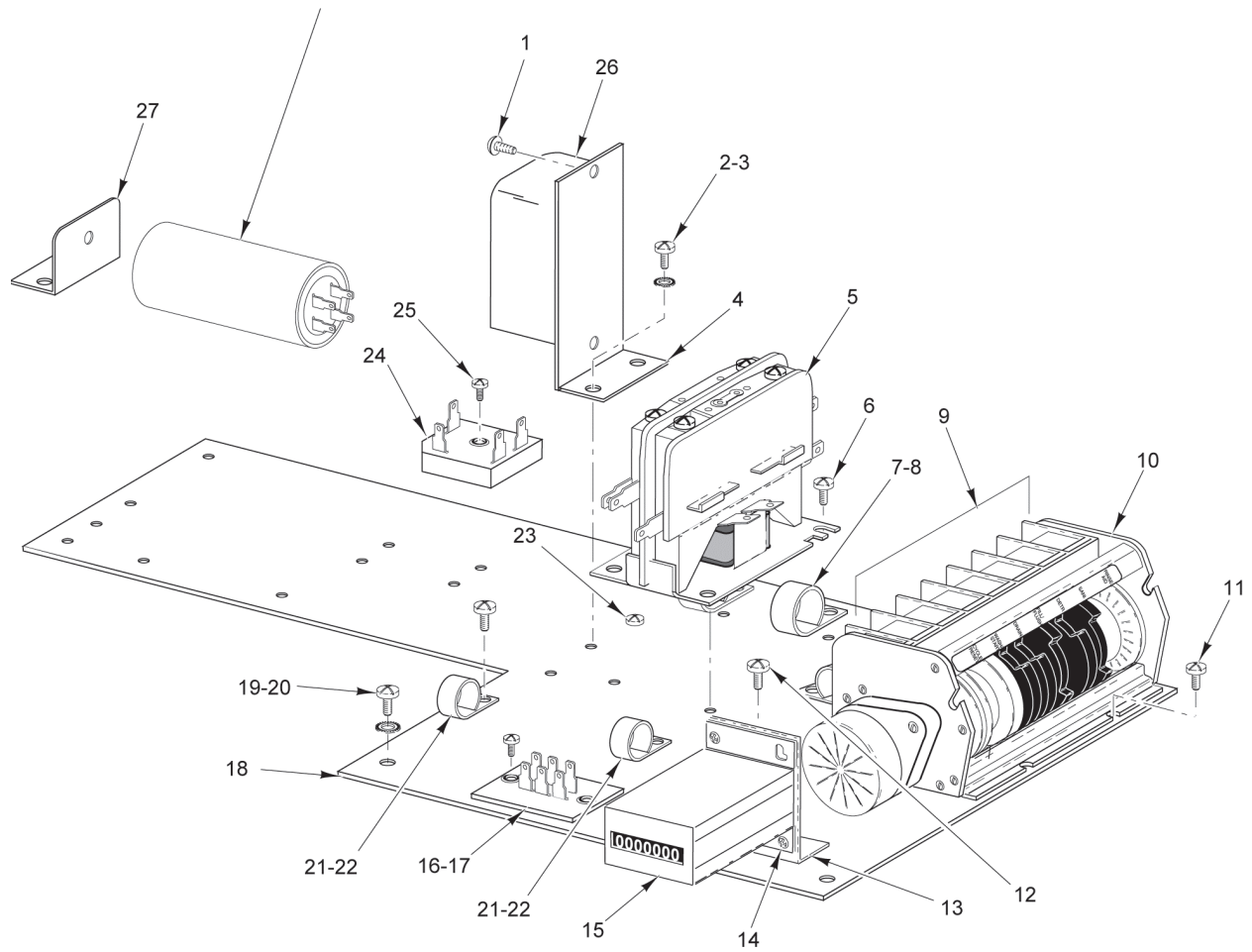
**CONTROL BOX**

PL-60481

## CONTROL BOX

ILLUS.	PART NO.	NAME OF PART	AMT.
PL-60481			
1	00-436195	Cover - Control Box (Give Elec. Spec., Mach. Model, & Serial No.).....	1
2	SD-032-31	Self-Tapping Screw 8-18 x 3/8 Phil Pan Hd., Type B.....	2
3	00-436196-00001	Cover - Access.....	1
4	SC-053-05	Mach. Screw 10-24 x 3/8 Slotted Truss Hd. (SST).....	2
5	00-328678	Clamp - Tie.....	1
6	NS-031-15	Stop Nut 10-24 Hex (SST).....	1
7	00-074348	Speed Nut 10-24.....	2
8	00-107218	Coupling - Thermometer Bulb.....	1
9	NS-031-15	Stop Nut 10-24 Hex (SST).....	2
10	00-078752-00001	Clamp - Retaining.....	1
11	00-078752-00002	Retainer (3/4 In.).....	1
12	P681022	Tube - Clear (1/4 O.D.) (Supply to Pump) (Sold Per Foot).....	AR
13	P681023	Tube - Blue (1/4 O.D.) (Supply to Pump) (Sold Per Foot).....	AR
14	00-918009	Control Box.....	1
15	P681021	Tube - Red (1/4 O.D.) (Supply to Pump) (Sold Per Foot).....	AR
16	00-185111-00002	Clamp - Hose 7/16.....	3
17	00-185112	Stand Pipe 20-1/2 Lg.....	3
18	00-949681	Label - Controls.....	1
19	P651135	Thermometer.....	1
20	00-113703	Cable Tie (Pump Connections).....	12
21	00-436293	Tube - Clear.....	3
22	00-185105-00015	Tube - Clear (1/4 O.D. x 1-1/2 Lg.).....	3
23	FE-025-27	Coupling - Conduit.....	1
24	00-185104	Elbow - Feeder Tubes (Incls. Nut & Gasket).....	1
25	00-185105-00010	Tube - Clear (Pump to Tank) (1/4 O.D. x 60 Lg.).....	1
26	00-328252	Tubing - Chemical Pump (3/8 O.D.).....	1
27	00-185105-00009	Tube - Red (Pump to Tank) (1/4 O.D. x 60 Lg.).....	1
28	00-185105-00011	Tube - Blue (Pump to Tank) (1/4 O.D. x 60 Lg.).....	1
29	00-918084	Tray - Drip.....	1
30	00-893534-00002	Cable - Motor Assy.....	1
31	00-087711-193-2	Switch - Rocker (Fill/Drain).....	1
32	00-087711-192-2	Switch - Rocker (Power On/Off).....	1
33	P411001	Pump - Chemical.....	3
34	SC-116-20	Mach. Screw 6-32 x 1/2 Slotted Bndg. Hd. (SST) (4 per pump).....	4
35	SC-022-09	Mach. Screw 8-32 x 1/2 Slotted Flat Hd. (SST) (2 per pump).....	2
36	SC-022-08	Mach. Screw 8-32 x 3/8 Flat Hd. (2 per pump).....	2
37	00-185097-00002	Motor - Peristaltic Pump (12 RPM).....	1
38	00-436204	Label - Rinse Aid.....	1
39	00-185097-00001	Motor - Peristaltic Pump (35 RPM).....	1
40	00-436203	Label - Sanitizer.....	1
41	SC-041-10	Cap Screw 5/16-18 x 5/8 Hex Hd. (SST).....	4
42	WL-006-23	Lockwasher 5/16 Helical (SST).....	4
43	NS-015-11	Nut 5/16-18 Hex (SST).....	4
44	00-185097-00001	Motor - Peristaltic Pump (35 RPM).....	1
45	00-087711-194-1	Switch - Rocker.....	3
46	00-436202	Label - Detergent.....	1
47	00-185105-00010	Tube - Clear (1/4 O.D. x 60).....	1
48	00-436198	Cover - Peristaltic Pumps.....	1
49	00-436246	Guide - Pump Cover.....	2
50	00-436293	Tube - Clear (Drain Off Tube Behind Control Box).....	1
51	00-113703	Cable Tie.....	5
52	FE-022-84	Connector - Strain Relief.....	2
53	FE-008-10	1/2 Gasket Assy.....	2
54	P681005	Squeeze Tube.....	AR

**This part is not sold separately.  
It comes with Pump & Motor  
Assembly 00-947806 shown on the  
WASH MOTOR AND PUMP figure.**



28 00-294695 Wrench - Spanner  
**PART NOT ILLUSTRATED**

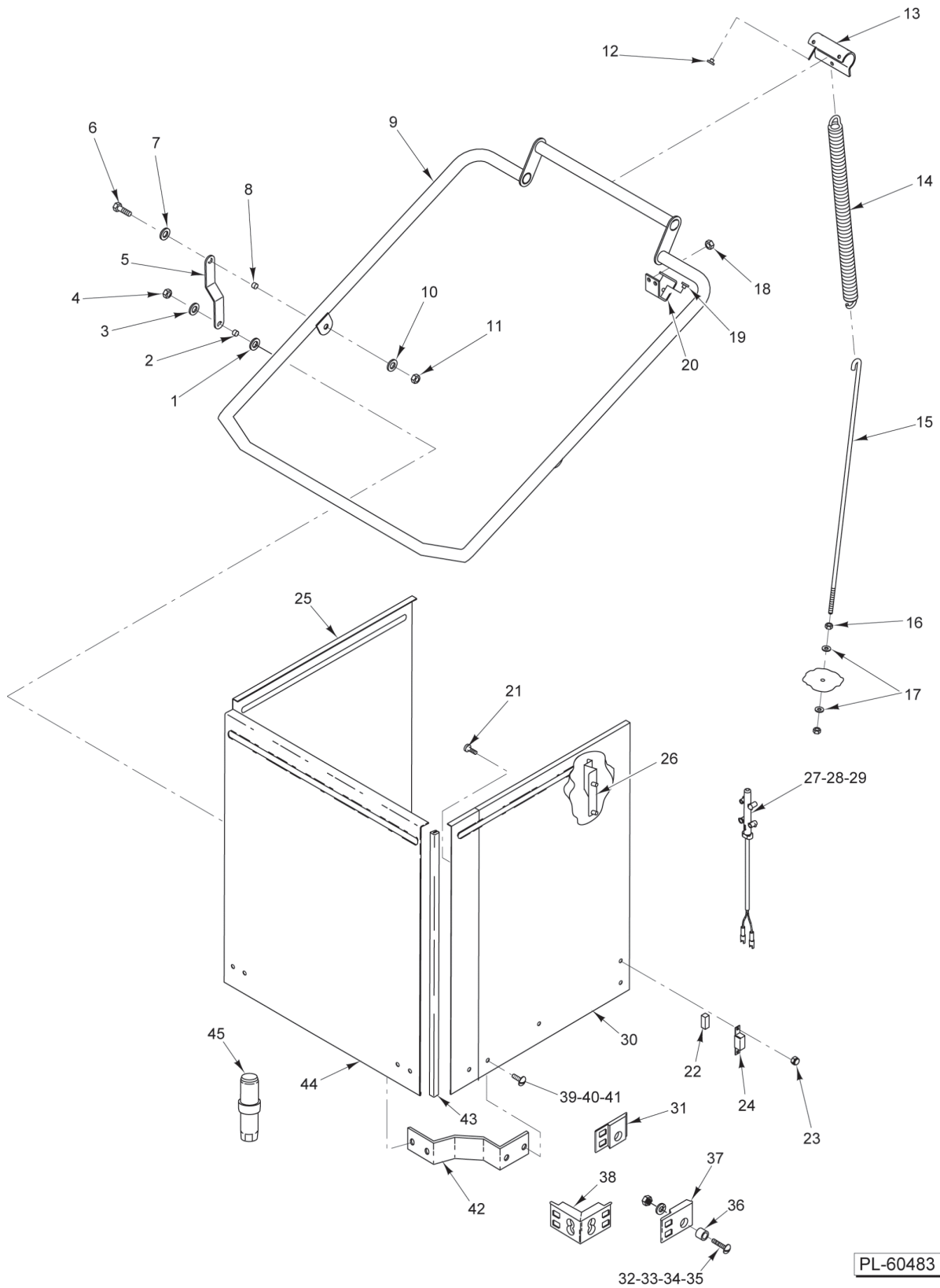
PL-60482

**ELECTRICAL COMPONENTS**



**ELECTRICAL COMPONENTS**

ILLUS.	PART NO.	NAME OF PART	AMT.
PL-60482			
1	SD-008-17	Self-Tapping Screw 6-20 x 3/8 Phil. Bndg. Hd., Type B.....	2
2	SD-008-18	Self-Tapping Screw 8-18 x 3/8 Phil. Bndg. Hd., Type B.....	2
3	WL-014-05	Lockwasher #8 External Shakeproof (SST).....	2
4	00-437102	Bracket - Relay Mounting.....	1
5	00-087713-086-1	Contactora - Single Pole.....	1
6	SD-008-25	Self-Tapping Screw 10-16 x 1/2 Phil. Pan Hd., Type B.....	2
7	00-294677-00003	Clamp - Wire (3/4 I.D.).....	4
8	SD-008-25	Self-Tapping Screw 10-16 x 1/2 Phil. Pan Hd., Type B.....	3
9	00-087711-00218	Switch - Timer.....	1
10	00-436265	Timer - Cam (Incls. Item 9).....	1
11	SD-008-18	Self-Tapping Screw 8-18 x 3/8 Phil. Bndg. Hd., Type B.....	2
12	SD-008-25	Self-Tapping Screw 10-16 x 1/2 Phil. Pan Hd., Type B.....	2
13	00-185178	Bracket.....	1
14	SD-008-17	Self-Tapping Screw 6-20 x 3/8 Phil. Bndg. Hd., Type B.....	2
15	00-185177	Counter & Bracket Assy. (Incls. Items 13, 14, & Terminals).....	1
16	00-294325-00009	Terminal Board Assy.....	1
17	SD-008-17	Self-Tapping Screw 6-20 x 3/8 Phil. Bndg. Hd., Type B.....	2
18	00-918013	Plate - Base.....	1
19	SC-018-62	Mach. Screw 10-24 x 3/8 Phil. Pan Hd.....	5
20	WL-007-12	Lockwasher #10 External Shakeproof.....	5
21	00-294677-00003	Clamp - Wire (3/4 I.D.).....	2
22	SD-008-25	Self-Tapping Screw 10-16 x 1/2 Phil. Pan Hd., Type B.....	2
23	SD-008-25	Self-Tapping Screw 10-16 x 1/2 Phil. Pan Hd., Type B.....	1
24	00-473660	Rectifier.....	1
25	SD-008-04	Self-Tapping Screw 10-16 x 5/8 Phil. Rd. Hd., Type B.....	1
26	00-087714-007-2	Relay (3P.D.T.) (120 V.) (Rinse Feeder).....	1
27	00-941300	Bracket - Capacitor Mounting.....	1
28	00-294695	Wrench - Spanner (Use to Adjust Item 10).....	1

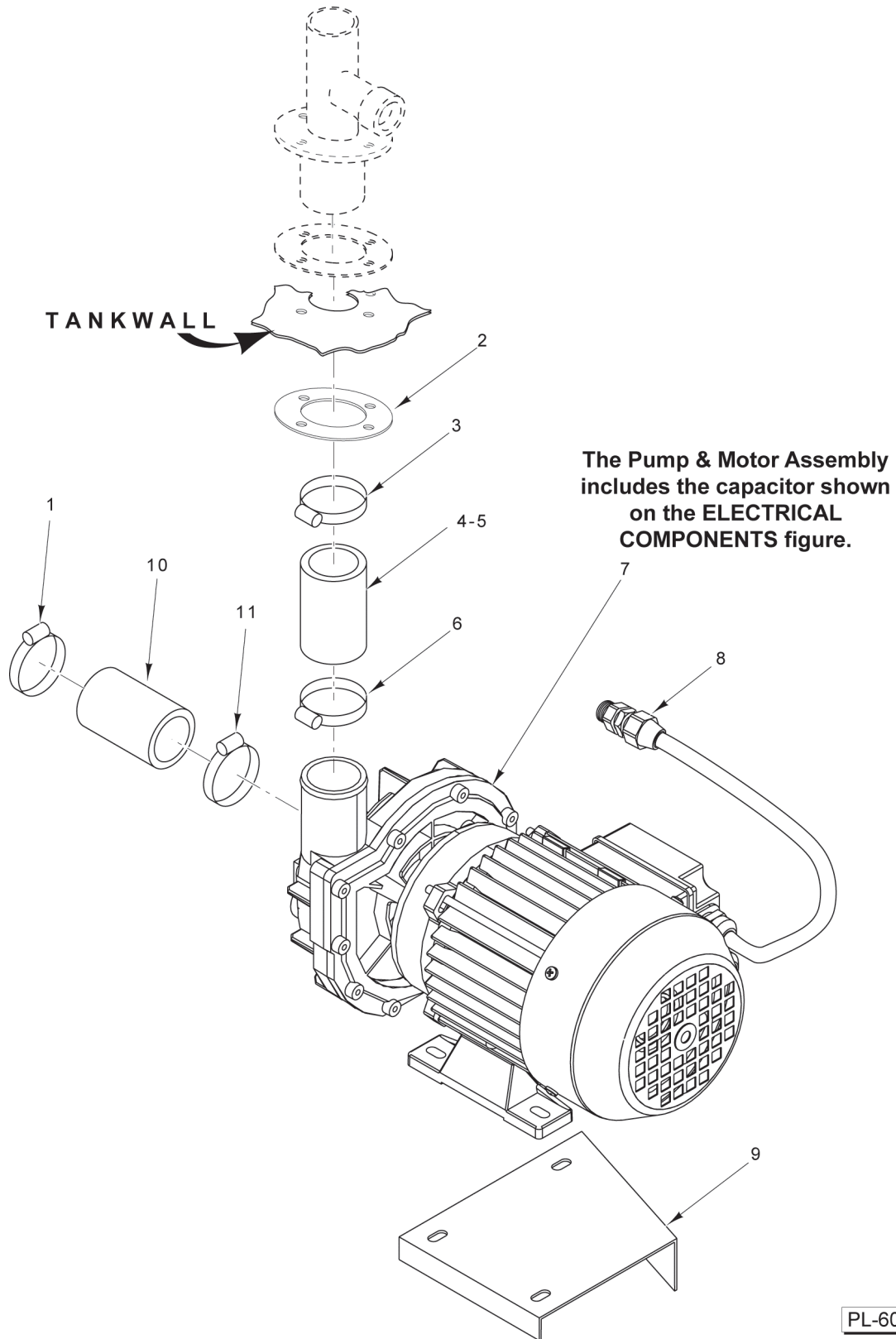


PL-60483

**DOOR ASSEMBLY**

## DOOR ASSEMBLY

ILLUS.	PART NO.	NAME OF PART	AMT.
PL-60483			
1	WS-017-01	Washer (SST).....	2
2	00-893014-00002	Spacer - Door Link (Lower).....	2
3	WS-017-01	Washer (SST).....	2
4	NS-036-19	Stop Nut 5/16-18 Hex (SST).....	2
5	00-893252	Link - Door Handle.....	2
6	SC-041-12	Cap Screw 5/16-18 x 7/8 Hex Hd. (SST).....	2
7	WS-017-01	Washer (SST).....	2
8	00-893014-00001	Spacer Door Link (Upper).....	2
9	00-893051	Handle - Weldment.....	1
10	WS-017-01	Washer (SST).....	2
11	NS-036-19	Stop Nut 5/16-18 Hex (SST).....	2
12	00-119055	Button - Bearing.....	4
13	00-893011	Hanger - Counterbalance (Spring).....	1
14	00-893012	Spring - Extension (Door).....	1
15	00-893013	Hook - Spring.....	1
16	NS-015-11	Nut 5/16-18 Hex (SST).....	3
17	WS-017-01	Washer (SST).....	2
18	NS-036-19	Stop Nut 5/16-18 Hex (SST).....	4
19	00-119055	Button - Bearing.....	4
20	00-893224	Support - Handle.....	2
21	SC-066-01	Mach. Screw 6-32 x 1/4 Phil. Truss Hd.....	2
22	00-111941	Magnet.....	1
23	NS-031-50	Stop Nut 6-32 Hex (SST).....	2
24	00-893111	Magnet - Mount.....	1
25	00-918543	Door Assy. (LH).....	1
26	00-748056	Bracket - Magnet.....	1
27	00-918320-00003	Switch - Reed (Interlock).....	1
28	NS-031-50	Stop Nut 6-32 Hex (SST).....	4
29	FE-022-84	Connector - Strain Relief.....	1
30	00-918542	Door Assy. (RH).....	2
31	00-119082	Insert - Tank Corner (Left Rear).....	1
32	SC-041-15	Cap Screw 5/16-18 x 1-1/4 Hex Hd. (SST).....	6
33	SC-053-17	Mach. Screw 5/16-18 x 3/4 Truss Hd. (SST).....	2
34	WL-006-23	Lockwasher 5/16 Helical (SST).....	8
35	NS-015-11	Nut 5/16-18 Hex (SST).....	8
36	00-119047	Spacer - Tank & Chamber.....	6
37	00-119083	Insert - Tank Corner (Right Rear).....	1
38	00-119081	Insert - Tank Corner (Front).....	2
39	SC-041-10	Cap Screw 5/16-18 x 5/8 Hex Hd. (SST).....	8
40	WL-006-23	Lockwasher 5/16 Helical (SST).....	8
41	NS-015-11	Nut 5/16-18 Hex (SST).....	8
42	00-185057	Bracket - Door Lift.....	2
43	P572871	Guide - Door.....	6
44	00-949624	Door Assy. (Front).....	1
45	00-288946-00002	Foot - Adjustable (1-5/8) (SST).....	4

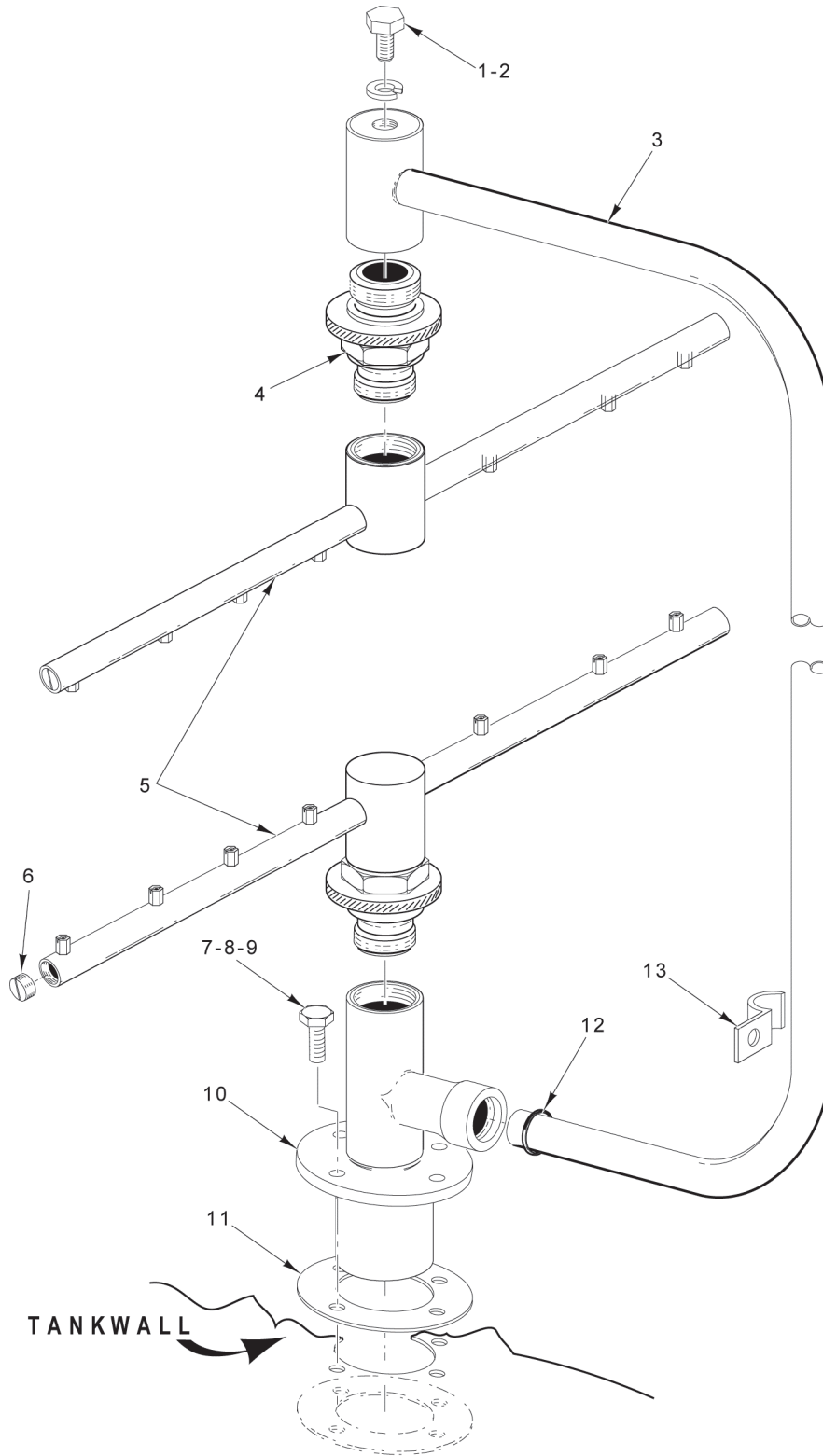


**WASH MOTOR AND PUMP**

PL-60484

WASH MOTOR AND PUMP

ILLUS.	PART NO.	NAME OF PART	AMT.
PL-60484			
1	00-538412	Clamp - Hose.....	1
2	00-436273-00002	Flange - Support.....	1
3	00-538412	Clamp - Hose.....	1
4	00-328607	Hose - Pump Outlet.....	1
5	00-328607-00002	Hose - Pump Outlet.....	1
6	00-538412	Clamp - Hose.....	1
7	00-947806	Pump & Motor Assy. (115/230 V., 50/60 Hz., 1 Ph./3 Ph.) (Incls. Capacitor).....	1
8	00-948126	Cable - Motor Assy.....	1
9	00-948420	Bracket - Motor Mount.....	1
10	00-948384	Hose - Pump Inlet.....	1
11	00-538412	Clamp - Hose.....	1

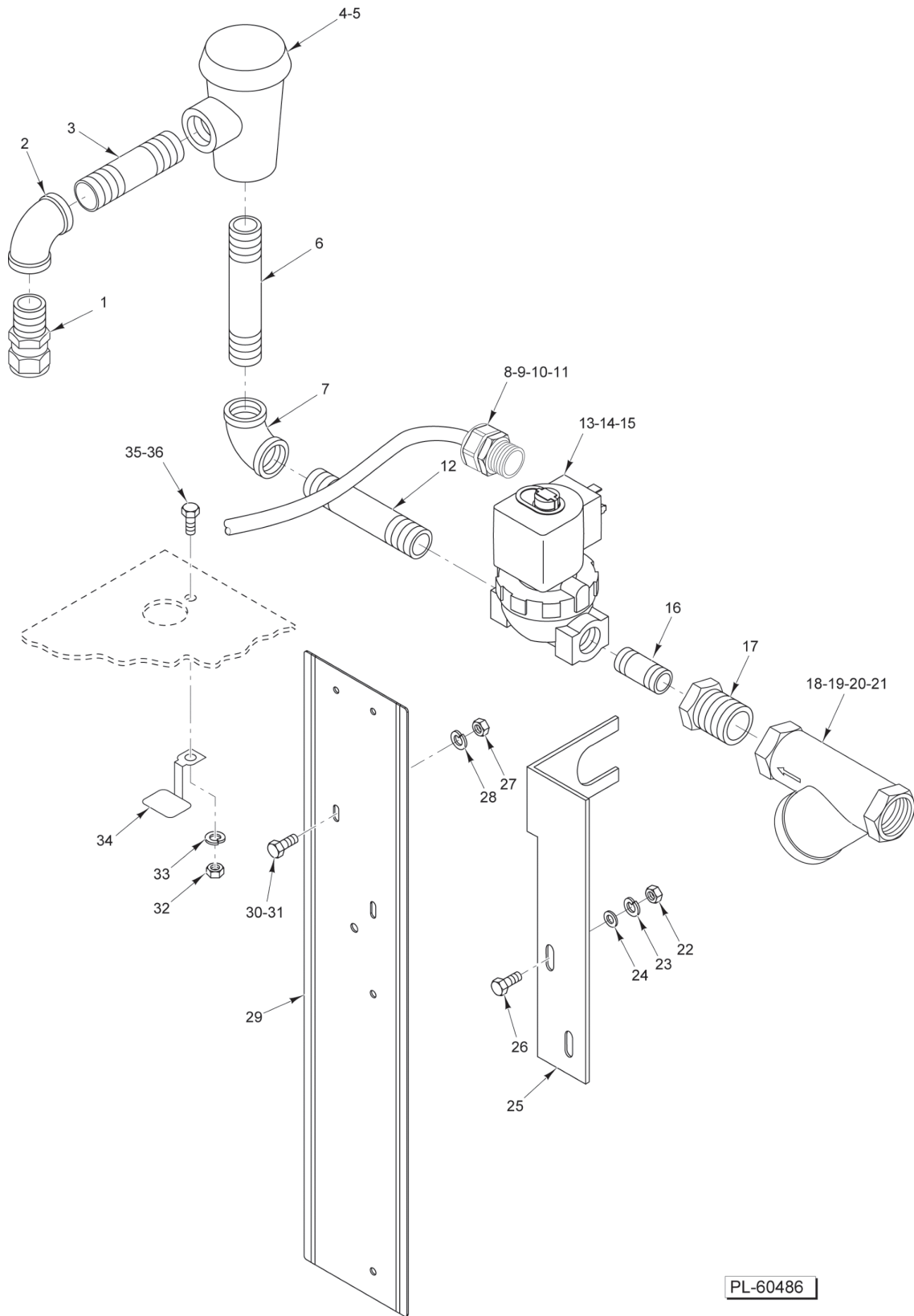


PL-60485

**INSIDE WASH AND RINSE PIPING**

**INSIDE WASH AND RINSE PIPING**

<b>ILLUS.</b>	<b>PART NO.</b>	<b>NAME OF PART</b>	<b>AMT.</b>
PL-60485			
1	SC-041-10	Cap Screw 5/16-18 x 5/8 Hex Hd. (SST).....	1
2	WL-6-23	Lockwasher 5/16 Medium SST.....	1
3	00-436215	Tube Assy. - Riser.....	1
4	00-436210-00003	Bearing Assy. - Wash Arm.....	2
5	00-436210-00001	Wash Arm Assy. (Incls. Item 6).....	2
6	00-474252	Cap - End.....	4
7	SC-041-13	Cap Screw 5/16-18 x 1 Hex Hd. (SST).....	4
8	WS-017-01	Washer (SST).....	4
9	NS-036-19	Stop Nut 5/16-18 Hex (SST).....	4
10	00-893793	Manifold - Lower Wash Arm.....	1
11	00-436270-00002	Gasket.....	1
12	00-067500-00010	O-Ring.....	1
13	00-436217	Clamp - Riser.....	1



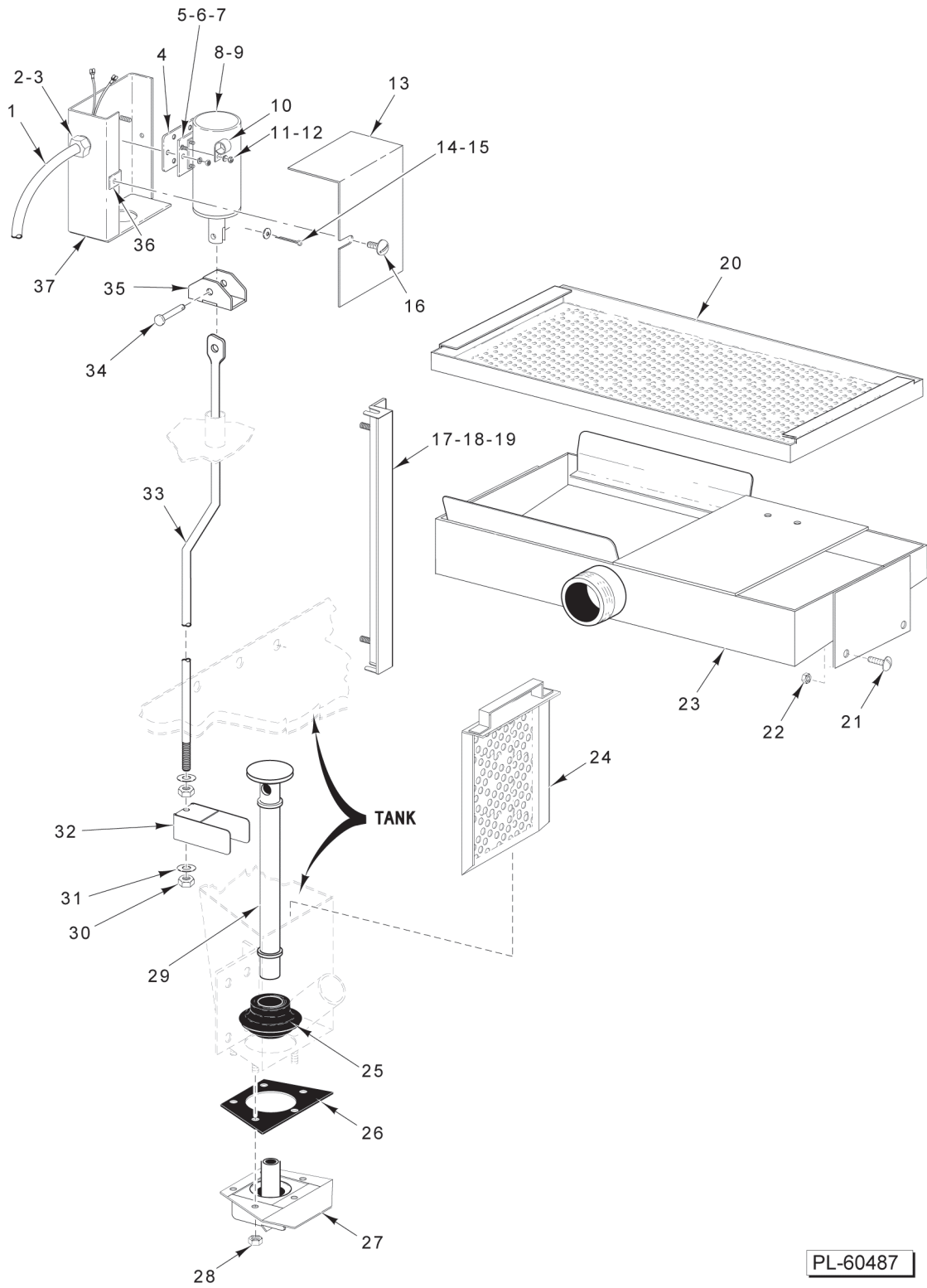
PL-60486

**FILL PIPING**



**FILL PIPING**

ILLUS.	PART NO.	NAME OF PART	AMT.
PL-60486			
1	00-069897-00001	Fitting - Compression.....	1
2	FP-015-16	Elbow - Pipe 1/2 x 90 Deg. (Brass).....	1
3	FP-040-62	Pipe 1/2 x 2-3/4 TBE.....	1
4	00-292909-00002	Vacuum Breaker (1/2 In.).....	1
5	00-292910	Service Kit - Vacuum Breaker (Float & Seal Assy.).....	1
6	FP-040-62	Pipe 1/2 x 2-3/4 TBE.....	1
7	FP-015-16	Elbow - Pipe 1/2 x 90 Deg. (Brass).....	1
8	FE-022-84	Connector - Strain Relief.....	2
9	FE-008-10	1/2 Gasket Assy.....	2
10	FE-024-88	Lock Nut 1/2 Electrical.....	2
11	00-893950-00001	Cable.....	1
12	FP-040-62	Pipe 1/2 x 2-3/4 TBE.....	1
13	00-893100-00001	Solenoid Valve (1/2) (120 V.) (Incls. Items 14 & 15).....	1
14	00-892132	Coil - Solenoid Valve (120 V.).....	1
15	00-893101	Service Kit - 1/2 Solenoid Valve.....	1
16	FP-040-42	Pipe 1/2 x 1-1/8 TBE (Brass).....	1
17	FP-027-22	Bushing - Pipe 3/4 to 1/2 (Brass).....	1
18	00-186922	Strainer - Line (3/4 In.) (Brass) (Incls. Items 19, 20, & 21).....	1
19	00-186923	Plug - Branch (3/4 Line Strainer).....	1
20	00-186924	Gasket - Branch Plug.....	1
21	00-186925	Screen - Line Strainer.....	1
22	NS-015-01	Nut 1/4-20 Hex (SST).....	2
23	WL-006-17	Lockwasher 1/4 Helical (SST).....	2
24	WS-017-06	Washer (SST).....	2
25	00-474739	Support - Fill Pipe.....	1
26	SC-041-05	Cap Screw 1/4-20 x 5/8 Hex Hd. (SST).....	2
27	NS-015-01	Nut 1/4-20 Hex (SST).....	2
28	WL-006-17	Lockwasher 1/4 Helical (SST).....	2
29	00-941202	Bracket - Solenoid Box.....	1
30	SC-041-05	Cap Screw 1/4-20 x 5/8 Hex Hd. (SST).....	2
31	WS-017-06	Washer (SST).....	AR
32	NS-015-11	Nut 5/16-18 Hex (SST).....	2
33	WL-006-23	Lockwasher 5/16 Helical (SST).....	2
34	00-893920	Deflector - Fill.....	1
35	SC-041-13	Cap Screw 5/16-18 x 1 Hex Hd. (SST).....	2
36	WS-017-06	Washer (SST).....	AR

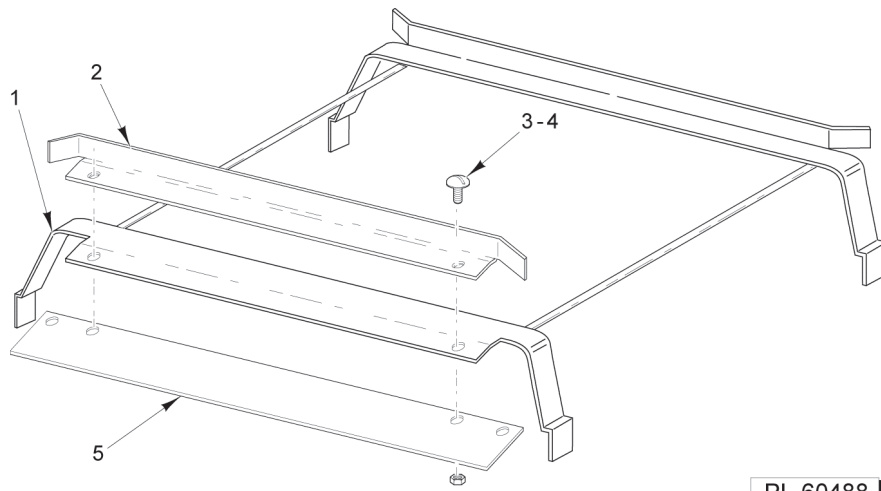


PL-60487

**DRAIN**

## DRAIN

ILLUS.	PART NO.	NAME OF PART	AMT.
PL-60487			
1	00-294514-00009	Cable - Drain Solenoid.....	1
2	FE-022-84	Connector - Strain Relief.....	2
3	FE-024-88	Lock Nut 1/2 Electrical.....	2
4	00-893909	Spacer - Solenoid (Current Construction).....	1
5	00-893910	Plate - Solenoid Mounting (Current Construction).....	1
6	WL-006-17	Lockwasher 1/4 Helical (SST).....	2
7	NS-015-01	Nut 1/4-20 Hex (SST).....	2
8	SD-008-18	Self-Tapping Screw 8-18 x 3/8 Phil. Bndg. Hd., Type B.....	4
9	00-436312	Solenoid (Ledex, DC).....	1
10	00-078752-00010	Clamp - Retaining.....	1
11	WL-006-07	Lockwasher #10 Helical (SST).....	1
12	NS-011-18	Nut 10-24 Hex (SST).....	1
13	00-436305	Cover - Solenoid.....	1
14	WS-023-24	Washer.....	1
15	PC-005-02	Cotter Pin 1/16 x 1/2 (SST).....	1
16	SC-053-05	Mach. Screw 10-24 x 3/8 Slotted Truss Hd. (SST).....	2
17	00-936979	Cover - Drain Rod.....	1
18	WL-006-07	Lockwasher #10 Helical (SST).....	2
19	NS-011-18	Nut 10-24 Hex (SST).....	2
20	00-436222	Pan - Strainer.....	1
21	SC-021-25	Mach. Screw 10-24 x 3/4 Rd. Hd.....	4
22	NS-031-15	Stop Nut 10-24 Hex (SST).....	2
23	00-893792	Pan - Drain (Current Construction).....	1
24	00-436281	Strainer - Sump.....	1
25	00-436248	Stopper - Drain.....	1
26	00-436206	Gasket - Sump.....	1
27	00-893413	Drain Chute Assy.....	1
28	NS-047-82	Stop Nut 1/4-20 Hex (SST).....	5
29	00-474220	Tube - Drain.....	1
30	NS-015-11	Nut 5/16-18 Hex (SST).....	2
31	WL-006-23	Lockwasher 5/16 Helical (SST).....	2
32	00-947856	Bracket - Drain Lift.....	1
33	00-436303	Rod - Lift Drain.....	1
34	00-436313	Pin - Clevis.....	1
35	00-947857	Stop - Drain Lift Weldment.....	1
36	00-074348	Speed Nut 10-24.....	2
37	00-436304-00001	Box - Solenoid.....	1



PL-60488

### TRACK

**TRACK**

<b>ILLUS.</b>	<b>PART NO.</b>	<b>NAME OF PART</b>	<b>AMT.</b>
<b>PL-60488</b>			
1	00-435036	Track Weldment.....	1
2	00-185050	Side - Rack Track.....	1
3	SC-053-02	Mach. Screw 10-24 x 1/2 Slotted Truss Hd. (SST).....	4
4	NS-031-15	Stop Nut 10-24 Hex (SST).....	4
5	00-185053	Guard - Door Splash.....	1

