



STERO SU

HOT AND COLD UNDERCOUNTER



STANDARD FEATURES

- 31 racks per hour rate – SU-H
- 33 racks per hour rate – SU-L
- .78 gallons of water per rack
- Hot water or chemical sanitizing units available
- Low chemical alert indicators
- Booster heater capable of 70° rise, provided on SU-H models
- Rinse Assurance ensures 180° final rinse
- Self-priming chemical pumps
- Error notification
- Digital cycle/temperature display
- Interchangeable upper and lower wash and rinse arms
- Pumped drain
- Pumped rinse
- 17" door opening
- Automatic tank fill
- Chemical pumps standard



OPTIONS & ACCESSORIES

- Power cord kits
- Drain water tempering kit
- 6" base
- 17" stand

| MACHINE RATINGS | SU-H Hot Water Sanitizing | SU-L Chemical Sanitizing |
|---|------------------------------|-----------------------------|
| Racks per Hour Rate | 31 | 33 |
| Cycle Time – Seconds | 116 | 109 |
| Tank Heat | 1.8 KW | 1.8 KW |
| Electric Booster Heater | 4.9 KW | N/A |
| Water Usage Per Rack – Gallons | .78 | .89 |
| Peak Drain Flow – Gallons per Minute | 4.0 | 4.0 |
| Incoming Water Temperature Required (minimum) | 110° | 120° |

STERO SU

HOT AND COLD UNDERCOUNTER



NOTICE

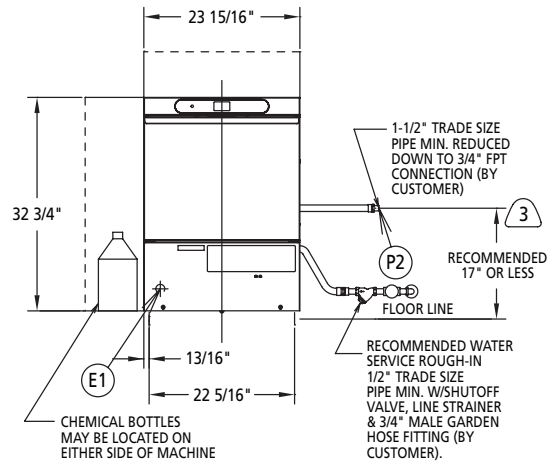
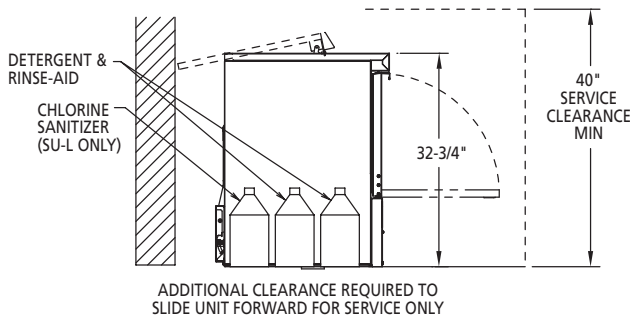
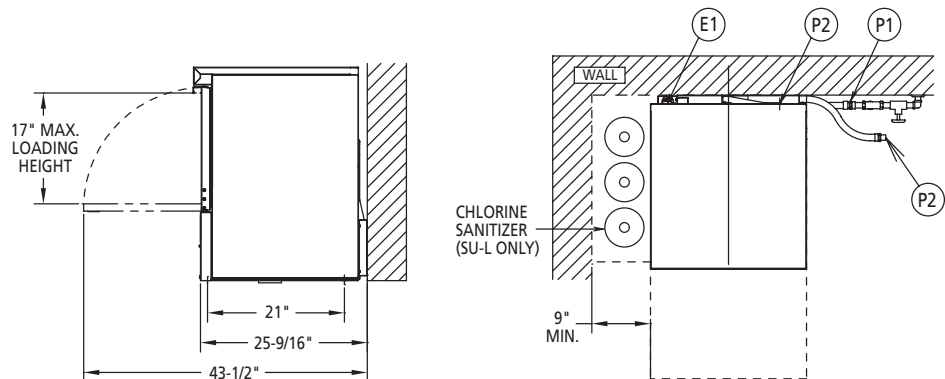
Required flowing water pressure to the dishmachine is 15-65 PSIG. If pressures higher than 65 PSIG are present, a pressure regulating valve must be installed in the water line to the dishmachine (by others).

Pressure gauge not required on pumped rinse machines.

Important: Chemical containers should be placed no higher than 10" above floor.

If chemical containers are to be placed in cabinet adjacent to machine, a 1/2" dia. hole is required in the cabinet to run chemical supply line.

Use only 6% or 8.4% sodium hypochlorite (liquid bleach) as sanitizing chemical to insure proper operation of dishmachine (SU-L only).



NOTES:

- All vertical machine dimensions taken from floor may be increased by 1".
- Moist air escapes from the door. Use only moisture resistant materials adjacent to dishmachine sides and top.
- A vent hood is not recommended above the undercounter dishmachine since it does not produce excessive vapors.

PLUMBING NOTES:

- Water hammer arrestor (meeting ASSE-1010 Standard or equivalent) to be supplied (by others) in common water supply line at service connection.
- Recommended water hardness to be 3 grains or less for best results.
- If drain hose is looped above a sink, the loop must not exceed 38" AFF.

WARNING

Electrical and grounding connections must comply with the applicable portions of the National Electrical Code and/or other local electrical codes.

Plumbing connections must comply with applicable sanitary, safety and plumbing codes. Drain and fill line configurations vary, some methods are shown on this drawing.

| MODEL | VOLTS/HERTZ/PHASE | RATED AMPS | MIN SUPPLY CKT CONDUCTOR AMPACITY | MAX PROTECTIVE DEVICE |
|-------|-----------------------|------------|-----------------------------------|-----------------------|
| SU-H | 120/208-240(3W)/60/1* | 30.5 | 40 | 40 |
| SU-L | 120/60/1 | 15.4 | 20 | 20 |

NOTE: FOR SUPPLY CONNECTIONS, USE COPPER WIRE ONLY RATED AT 90°C MINIMUM ACCESSORY CORD KIT AVAILABLE FOR ALL MODELS.

* THIS SYSTEM REQUIRES THREE POWER WIRES WHICH INCLUDES A CURRENT CARRYING NEUTRAL, AN ADDITIONAL FOURTH WIRE MUST BE PROVIDED FOR A MACHINE GROUND.

NOTE: Certain materials, including silver, aluminum and pewter are attacked by sodium hypochlorite (liquid bleach) in the chemical sanitizing dishwasher mode of operation. Water hardness must be controlled to 3 grains OR LESS for best results.

CONNECTION INFORMATION

(AFF = ABOVE FINISHED FLOOR)

LEGEND

- E1 ELECTRICAL CONNECTION: 1-3/8" DIA. HOLE FOR 1" TRADE SIZE CONDUIT; 4-5/8" AFF
- P1 SINGLE FILL AND RINSE CONNECTION: 3/4" FEMALE GARDEN HOSE FITTING ON 6' LONG HOSE SUPPLIED WITH MACHINE;
- P2 DRAIN CONNECTION: 5/8" BARB FITTING WITH 6' LONG HOSE SUPPLIED WITH MACHINE.

WARNING

Do not premix other chemicals and sodium hypochlorite (liquid bleach).
Mixing may cause hazardous gas to form (SU-L only).

| SHIPPING WEIGHTS | | |
|------------------|------------|--------------------------|
| MODEL | NET WEIGHT | DOMESTIC SHIPPING WEIGHT |
| SU-H | 150 lbs. | 170 lbs. |
| SU-L | 150 lbs. | 170 lbs. |

OVERALL DIMENSIONS: 32-3/4" H x 23-15/16" W x 25-9/16" D

In line with its policy to continually improve its products, Stero reserves the right to change materials and specifications without notice.