



STERO ER-86S

RACK CONVEYOR SERIES



The **STERO ER-86S** provides a powerful scrapper, recirculating heated wash and rinse tanks followed by a fresh water rinse creating a high volume, low water consuming washer in an 86" footprint. The scrapper tank does the work of a manual pre-rinsing operation, but does it faster and better with 185 gpm of re-circulated water, stripping food soil from above and below the ware. Stripping food soil prior to washing increases labor and detergent savings. Food soil is transferred to the out-board scrap catchment automatically by the rinse water feed-back system keeping the scrapper tank water clean.

The full rack width washing pattern with our 225 gallons per minute pump powers this dishwashing workhorse. Rinsing and sanitizing is controlled by STERO's exclusive rack activated final rinse which guarantees accurate, trouble free cleaning.

STANDARD FEATURES

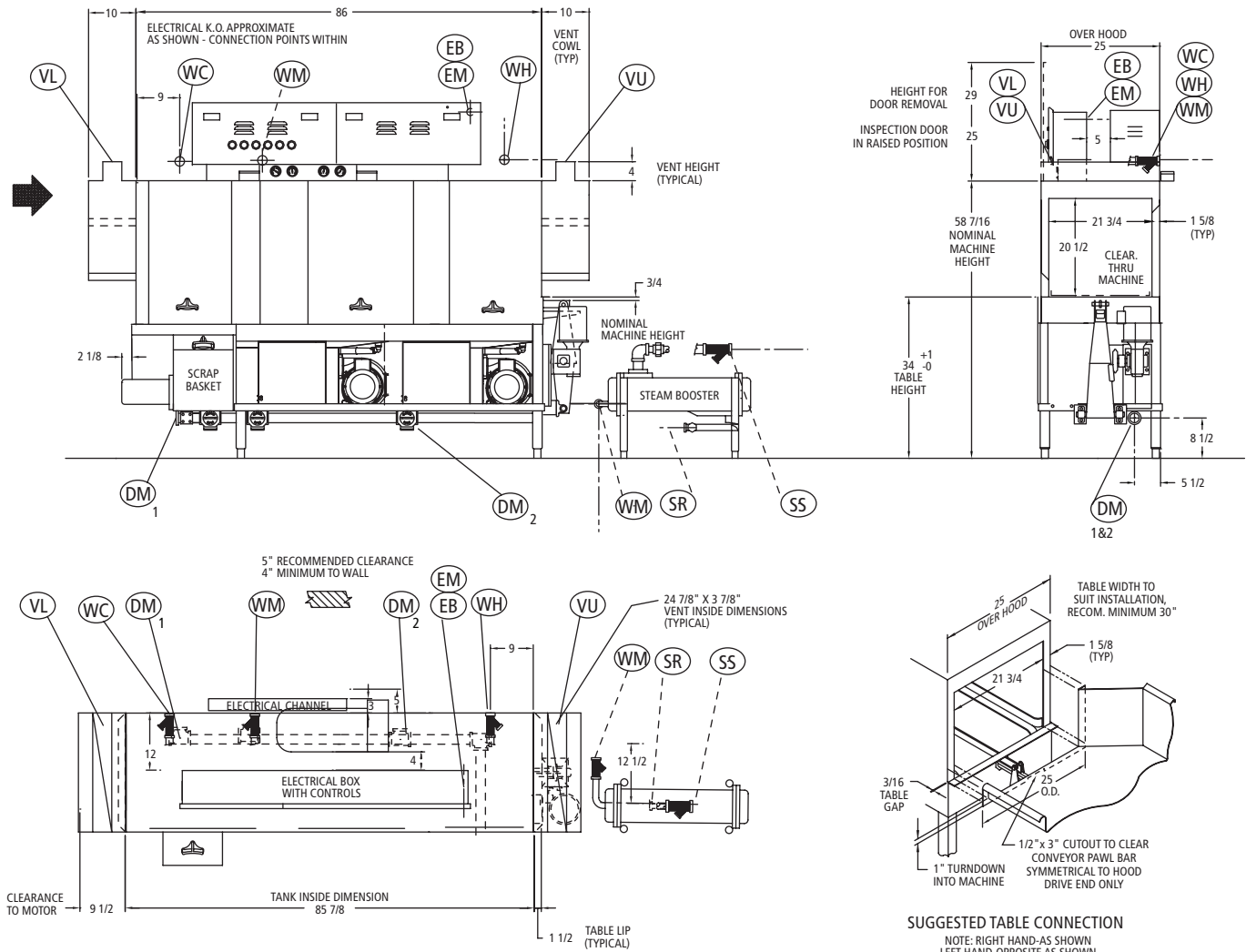
- 270 racks per hour
- Rinse 2.01 gpm / .49 gallons per rack
- Automatic fill maintains proper tank levels
- Automatic start, rack activated switch starts conveyor and pumps
- Automatic shut down stops operation during idle periods
- 2 HP wash and rinse motor each recirculating 225 gpm
- Single point drain connection
- 2 large inspection doors
- Center-fed wash and rinse manifolds
- Stainless steel front enclosure panel protects motors and controls from moisture
- Door safety switches prevents operation if door is open
- Stainless steel drain valves and poppets, foot activated
- Kit 55, included prv, shock arrestor and pressure gauge in final rinse line
- Bell-type stainless steel skimmer acts as overflow and removes fats and oils from the wash tank

OPTIONS & ACCESSORIES

- Right to Left / Left to Right Operation
- Vent Cowls
- Stainless 15/30 KW Booster Heater
- Steam Booster
- Circuit Breakers
- Optional Cabinet-Style Doors
- Table Limit Switch
- Drain Water Tempering Kit
- Cold Water Aquastat
- Seismic Feet
- Correctional Package
- Voltage
 - 208V 220V 480V 60cy 3ph
- International options available, consult factory

STERO ER-86S

RACK CONVEYOR SERIES



ER-86S L-R

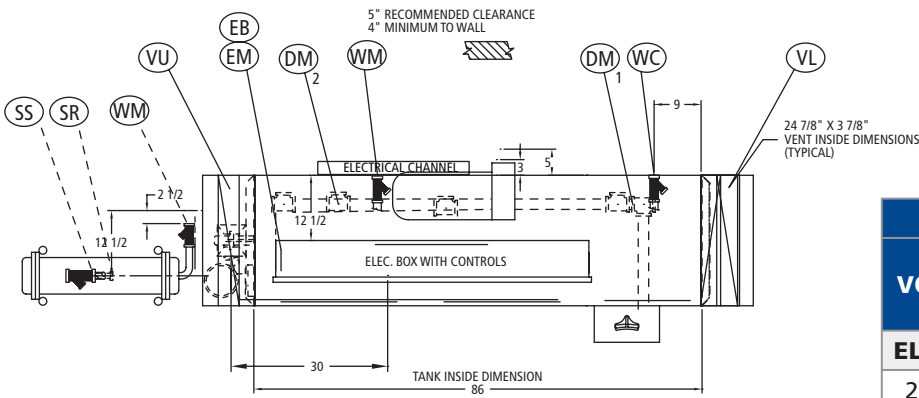
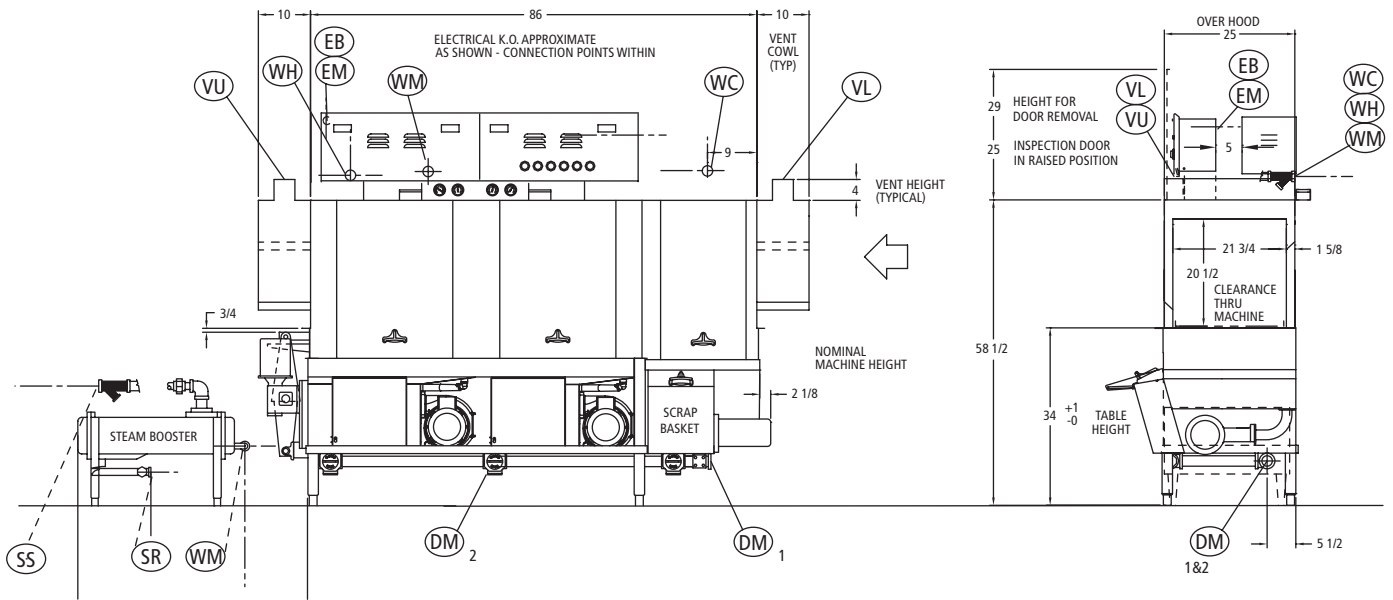
ELECTRIC TANK HEAT		
PTS.	SIZE	DESCRIPTION
DM	2" NPT (F)	DRAIN, MACHINE WASTE: LEAVE UNUSED PORTS PLUGGED
WC	3/4" NPT (F)	WATER SUPPLY: COLD AS AVAILABLE
WM	3/4" NPT (F)	WATER SUPPLY: 140° MIN. TANK FILL
WH	3/4" NPT (F)	WATER SUPPLY: 121 GALS./HR. @ 20 PSI WITHOUT BOOSTER 180°F. MIN WITH 15KW BOOSTER 140°F. MIN WITH 30KW BOOSTER 110°F. MIN
EM	ELECTRICAL REQ.	ONE (1) FEEDER SIZED FOR: 1. SCRAPPER PUMP MOTOR ... 1 HP 1. WASH PUMP MOTOR 2 HP 2. RINSE PUMP MOTOR..... 2 HP 3. CONVEYOR MOTOR..... 1/4 HP 4. WASH TANK HEAT 15 KW 5. RINSE TANK HEAT 15 KW
EB	ELECTRICAL REQ.	ONE (1) FEEDER SIZED FOR: 30KW BOOSTER
VL	NOTED	VENT, LOAD END: RECOM. MIN. DRAW = 200 CFM
VU	NOTED	VENT, UNLOAD END: RECOM. MIN. DRAW = 400 CFM

STEAM TANK HEAT		
PTS.	SIZE	DESCRIPTION
DM	2" NPT (F)	DRAIN, MACHINE WASTE: LEAVE UNUSED PORTS PLUGGED
WC	3/4" NPT (F)	WATER SUPPLY: COLD AS AVAILABLE
WM	3/4" NPT (F)	WATER SUPPLY: 140° MIN. TANK FILL
WH	3/4" NPT (F)	WATER SUPPLY: 121 GALS./HR. @ 20 PSI WITHOUT BOOSTER 180°F. MIN WITH SWB150 BOOSTER 120°F. MIN
SS	1" NPT (F)	STEAM SUPPLY: 15-40 PSI CONSUMPTION @ 20 PSI COMBINED TANK HEAT: 140 LBS./HR.
SR	3/4" NPT (F)	STEAM RETURN:
EM	ELECTRICAL REQ.	ONE FEEDER SIZED FOR: 1. SCRAPPER PUMP MOTOR ... 1 HP 2. WASH PUMP MOTOR 2 HP 3. RINSE PUMP MOTOR..... 2 HP 4. CONVEYOR MOTOR..... 1/4 HP
VL	NOTED	VENT, LOAD END: RECOM. MIN. DRAW = 200 CFM
VU	NOTED	VENT, UNLOAD END: RECOM. MIN. DRAW = 400 CFM



STERO ER-86S

RACK CONVEYOR SERIES



ER-86S R-L

ER-86S WITHOUT BOOSTER		
VOLTAGE	RATED AMPS	MAX PROTECTIVE DEVICE
ELECTRIC TANK HEAT, TOTAL LOAD		
208/60/3	102.2	120
240/60/3	94.5	110
480/60/3	45.2	55
STEAM TANK HEAT, TOTAL LOAD		
208/60/3	18.2	35
240/60/3	17.1	35
480/60/3	9.2	20

ADDITIONAL CIRCUIT FOR OPTIONAL BOOSTER		
ELECTRIC BOOSTER HEAT 15 KW		
VOLTAGE	RATED AMPS	MAX PROTECTIVE DEVICE
208/60/3	45.0	60
240/60/3	40.1	50
480/60/3	20.0	25

ADDITIONAL CIRCUIT FOR OPTIONAL BOOSTER		
ELECTRIC BOOSTER HEAT 30 KW		
VOLTAGE	RATED AMPS	MAX PROTECTIVE DEVICE
208/60/3	84.0	90
240/60/3	80.1	90
480/60/3	40.0	50

STERO ER-86S

RACK CONVEYOR SERIES



STANDARD FEATURES

Design: Two tank 20" Rack Conveyor, 86" in length with a power wash, power rinse and a sanitizing final rinse. Flexible strip curtains at each end separate the washing, rinsing and final rinse. Two large inspection doors allow easy access to interior of machine. All components are easily accessible for cleaning and maintenance.

Construction: Tank and hood are formed from 300 series No. 4 mill finish stainless steel, fully welded with a minimum of bolt together construction. Frame is heavy-duty stainless steel flat stock construction conforming to National Sanitation Foundation (NSF) Standard No. 3. The machine is supported by enclosed stainless steel feet. All internal piping, fittings, risers and manifolds are stainless steel.

Power Scrapper: The STERO engineered scrapping pattern utilizes fixed upper and lower stainless manifolds, fitted with large stricture free jets which effectively strip the food soil from all types of ware as it passes through the spray pattern. The food soil drops onto flat perforated stainless steel screens that cover the tank. The screens are held in an inclined position which coupled with the pump action, automatically moves the food soil to a scrap catchment mounted outside the tank.

Power Wash: STERO's unique stainless steel manifolds are center-fed, fitted with stricture free jets with directional vanes and can be easily removed without tools. Center fed manifolds distribute an even flow of wash water over the entire perimeter of the rack, ensuring consistent results. The ER-86S distributes 225 GPM of detergent water pumped over the ware by a 2 HP motor and pump assembly.

Power Rinse: Center-fed manifolds fitted with stricture free jets with directional vanes and can be easily removed without tools. An even distribution of rinse water fully covers the rack, ensuring consistent results. The ER-86S distributes 225 gpm of rinse water pumped over the ware by a 2 HP motor and pump assembly.

Final Rinse: Stainless rinse arms mounted above and below are fitted with directional fanjets, which create a full coverage spray pattern for maximum rinsing and sanitation. The rack activates STERO's final rinse switch and hot water solenoid valve with stainless steel seat. A vacuum breaker mounted downstream from the solenoid and 6" above the upper rinse complete STERO's rinse system.

Conveyor: A center-drive stainless steel pawl bar with stainless steel pawls conveys the racks through the spray pattern and out onto the clean dish table. The conveyor is powered by an integral ¼ HP motor and speed reducing drive which has a built-in release to prevent damage to racks or machine in the event of a rack jam.

Optional Integrated Stainless Steel Booster Heater: 30KW booster that is field convertible to 15KW is integrated on to the STERO ER-86S saving on installation and floor space.

Standard Electrical Features: All motors on STERO conveyor machines are factory wired in waterproof conduit and fittings to a common connection point. The motors are protected by thermal-overloads with manual reset buttons. The magnetic motor starters, start-stop switches, and electric tank heating element contactors (when specified) are mounted in a stainless steel control box for one point connection.

Door Safety Switch: Prevents the machine from operating if the door is open. The machine will automatically shut-off if the door is opened while the washer is running.

Pumps & Motors: 2 HP, 1750 rpm, 225 GPM, heavy duty with sealed bearings and overload protection. The pumps have easily removable inspection plates—front and end—and are self draining. Stainless steel perforated strainer pans cover the tank.

TANK HEATING OPTIONS

Electric: Stainless steel elements totaling 30 KW are mounted in the power wash (15KW) and power rinse (15KW) tanks. The units are thermostatically controlled and have STERO's low water protection system. The elements, thermostat, LWP and contactor are all inter-wired to the control panel.

Steam Injectors: Two stainless steel injectors with silencers are mounted in the tank. A thermostat controls a special solenoid valve, and maintains the correct temperature.

Steam Coils: STERO designed and built stainless steel steam coils are mounted in the tank. Steam coils allow condensed steam to be returned to the steam generator, a decided advantage when there is a question of steam purity. A thermostat controls a special steam solenoid valve and maintains the correct temperature. A steam trap is mounted on the steam return line.

In line with its policy to continually improve its products, Stero reserves the right to change materials and specifications without notice.